



Please give our details to other classic car owners or classic car clubs. Thanks

Useful Information

- *Vinyl (Ambla) : Coloured plastic based material with a knitted cotton backing – will stretch easily. Grain : Various grains, mainly Stag & 1290 (Rough Grain- used on Late TR6 & MGB)*
- *Leathercloth (Vynide) : Coloured plastic based material with a woven cotton backing – does NOT stretch easily. (Thinner than vinyl). Various grains, mainly Stag & 1290 (Rough Grain- used on Late TR6 & MGB)*
- *Hardura : Coloured plastic based material with a thin felt backing with a pebble like grain.*
- *Union Cloth : A good quality wool & cotton mix headlining material.*
- *Moquette : A good quality thin wool & cotton low pile fabric, used on seat backs, wheel arch covers etc.*
- *Hooding – PVC (Everflex) : Coloured plastic based material with a woven cotton backing. It is waterproof and comes in various grains, mainly Stag grain. Used for hoods, sidescreens, tonneau and hood frame covers.*
- *Hooding –Duck : Coloured cloth based material. It is waterproof and used for hoods, sidescreens, tonneau and hood frame covers.*
- *Hooding – Mohair : This is a top quality coloured cloth based material with a built in lining in either beige or black. It is waterproof and used for hoods, sidescreens, tonneau and hood frame covers.*
- *Armacord : A thick plastic coated felt, the plastic being ribbed. Used on Austin-Healey's in various colours, BUT now only available in black. (Can be re-coloured)*
- *TPK = Trim Panel Kit (contents are as per our current list)*
- *TK = Complete interior Trim Kit (contents are as per our current list)*
- *WAC = Wheel Arch Covers.*
- *HFC = Hood Frame Cover or envelope (Covers hood frame and hood when folded down)*
- *Sidescreens or side curtains.*
- *Boot or Trunk.*
- *Hood or convertible top.*
- *Re-trim kit is generally materials to recover old panel / unit / seat frame etc.*

Buy British

Keeping your Classic in Trim since 1980





<i>Details</i>	<i>Page Number</i>
----------------	--------------------

<i>Index & Original Features</i>	<i>3</i>
<i>Sales Policy</i>	<i>4</i>
<i>Order Form</i>	<i>5</i>
<i>Terms & Conditions</i>	<i>6</i>
<i>Company Information</i>	<i>7</i>
<i>Colour & Trim References</i>	<i>8</i>

TR Catalogue Index



Original Features

<i>TR6 : PI (CP 1 – CP 50,000)</i>	<i>27 & 28</i>
<i>TR6 : CARB (CC 1 – CC 50,000)</i>	<i>29 & 30</i>
<i>TR6 : PI (CP 50,001 – CP 77,716)</i>	<i>31 & 32</i>
<i>TR6 : CARB(CC 50,001 - CP 85,737)</i>	<i>33 & 34</i>
<i>TR6 : PI (CR 1- CR 12,500)</i>	<i>35 & 38</i>
<i>TR6 : CARB (CF 1 - CF 12,500)</i>	<i>39 & 42</i>
<i>TR6 : PI (CR 12,501+)</i>	<i>43 & 44</i>
<i>TR6 : CARB (CF 12,501+)</i>	<i>44 & 45</i>

<i>Seats & Trim panels with "heat welded" pattern</i>
<i>Seats & Trim panels with "heat welded" pattern</i>
<i>Seats & Trim panels with "heat welded" pattern</i>
<i>Seats & Trim panels with "heat welded" pattern</i>
<i>Seats & Trim panels with "heat welded" pattern</i>
<i>Seats & Trim panels with "heat welded" pattern</i>
<i>Seats & Trim panels with "heat welded" pattern</i>
<i>Seats & Trim panels with "heat welded" pattern</i>
<i>Seats & Trim panels with "heat welded" pattern</i>

<i>Weather Equipment : TR6</i>	<i>52 & 53</i>

<i>Trim Fittings : TR2-TR6</i>	<i>54 to 55</i>
--------------------------------	-----------------

We manufacture trim for the following British Classic Cars & can supply Catalogues with samples. If you have no further use for our catalogue please pass it on to a fellow classic car owner or classic car club.

<i>Austin - Healey</i>	<i>Jaguar</i>	<i>Triumph</i>	<i>MG</i>
<i>BN1 & BN2</i>	<i>XK 120</i>	<i>TR2</i>	<i>MGA Roadster</i>
<i>BN4</i>	<i>XK 140</i>	<i>TR3</i>	<i>MGA Coupe</i>
<i>BN6 & BN7</i>	<i>XK 150</i>	<i>TR3A & TR3B</i>	
<i>BT7</i>	<i>"E" Type</i>	<i>TR4</i>	
<i>BJ7</i>	<i>MK 2</i>	<i>TR4A</i>	
<i>BJ8</i>	<i>Daimler V8 250</i>	<i>TR5 & TR250</i>	
	<i>"S" Type & 420</i>	<i>TR6</i>	
	<i>MK 10 & 420G</i>		
	<i>XJ Saloons</i>		
	<i>XJS</i>		





Sales Policy

Orders / Catalogue & sample requests -

For your convenience you can place orders or request catalogue/samples 24 hours a day using :

- Email....sales@john-skinner.co.uk
- Web site....www.john-skinner.co.uk
- Fax.... +44 (0)1285 650013
- Alternatively you can write to us at our postal address.
- Telephone on +44 (0)1285 657410 Monday to Friday between 9.00am and 4.30pm.
- If required we are happy to send you a detailed order confirmation.
- It is the customers responsibility to ensure that the correct parts are ordered, we are happy to help identify incorrect trim items fitted to your car. (In many cases trim items will fit other variations of the same or similar model. e.g. trim panels, seats, hood frames, etc.)
- Unless your order clearly states you require non original parts, your order will be made to the specification set out in our catalogue. Please check as **JOHN SKINNER (MANUFACTURING) LTD** can not be held responsible for parts incorrectly ordered and supplied.

To help us process your order or catalogue/sample requests promptly please give as many details as possible, including your postal details, telephone, fax, email address, car details including exterior colour and trim colour(s). It is also very important to use our stock codes /descriptions when ordering and confirming colour combinations. (For guidance any samples sent to you will have a description & stock code [eg 99951***] printed on attached label)

There is a minimum order value of £5-00.

Payment -Payment must be made with your order unless you have an authorised credit account.

Recommended payment methods are :

- Credit Card : Visa & Mastercard are accepted. Please ensure your complete card details are given including card number, expiry date & cardholder name and postal address.
- Personal cheque : All personal checks will be cleared before shipment of any order.
- Bank cheque (draft), postal orders or international money orders.
- Direct transfer into our bank account, details as follows : **JOHN SKINNER (MANUFACTURING) LTD**
LLOYDS TSB 130, High St, Cheltenham, GL50 1EW Account No : 1863336 Bank Sort Code : 30-91-87

Shipping- All orders will be shipped promptly (except those paid by personal cheque awaiting clearance) via carrier or post. All overseas shipments will be shipped first class air mail or via shipping agent. Within the EU we have a good flexible, economic carrier that offers a 3 to 4 day service . If you require a specific shipping arrangement please make sure that we are told at the time of order. Customer pays all shipping, insurance , duty and customs costs that may be applicable. For our customers outside Great Britain be sure to check both the regulations governing import duties and restrictions on weight, size and/or merchandise.

Claims- Check all shipments BEFORE you sign for them, should any order arrive damaged, check the contents with the carrier & sign the delivery note giving details of any damaged/missing parts .All claims must be made to the carrier and copied to us. Claims for loss, shortages, errors or damages MUST be made within 3 DAYS of RECEIPT of your order.

Returns-All sales are considered final. Permission must be obtained from **JOHN SKINNER (MANUFACTURING) LTD**, before returning any merchandise. Request for return of merchandise must be made within 10 days of the receipt of order. All returns must include a copy invoice and a returns reference number (Bk **/**) and are subject to :

- A 20% re-stocking charge.
- Any unauthorized returns will not be accepted.
- No returns on special order items unless defective or incorrectly manufactured items have been supplied.
- No claim on any item that has been damaged, cut , glued. All items must be in a re-saleable condition.
- It is important to note that before fitting of any trim part, a visual check of the new part for quality and comparison with the part it will replace is essential, if in doubt contact us for help.

Special Order Items- Please allow 3 to 6 weeks for delivery as these items are generally made for your individual car. There will be no returns of special order items unless defective or incorrectly manufactured items were supplied. A non-refundable deposit of 50% will be required once work has started on a special order item.

Back-Orders- Will be shipped as soon as possible, if no back-order required please inform us at the time of order.

Warranty- All parts are subject to the manufacturers warranty of 6 months, which covers workmanship and materials but does not cover labour or failure of their product as a result of misuse, incorrect installation or failure of related parts, nor would the liability of **JOHN SKINNER (MANUFACTURING) LTD**, exceed the cost of the original part.

Prices- All prices are subject to change without prior notification. Where a price increase has occurred, price charged will be that at the date of shipment. Prices exclude VAT (Tax), shipping/handling costs.

VAT will be charged at the rate ruling at the date of invoice, anyone claiming VAT free prices or VAT refunds must comply with the relevant VAT & EU rules and regulations.





TERMS & CONDITIONS

1. All our quotations and all orders accepted by us are subject to these terms of business. In these terms all orders are termed contracts. No contracts are entered into us except upon these terms. We shall not be bound by any terms which are inconsistent with these terms; any Purchaser's order or acceptance which purports to include any inconsistent terms shall be construed as if that term was not included therein and shall be deemed for all purposes to be an order or acceptance incorporating these terms of business. In these terms the expression 'quotations' shall include tenders and the expression 'goods' shall include all equipment and materials supplied by us.
2. No variation of these terms of business or addition thereto shall be effective unless in writing duly signed on our behalf.
3. These terms and all contracts relating to them shall in all respects be construed and governed by English Law and the parties hereby submit to jurisdiction of the English Courts.
4. Quotations are limited to the goods specified therein and are subject to availability of the goods at the time when the order is placed. Unless otherwise specified, a quotation at a fixed price will be subject to withdrawal if any order is not placed within 30 days from the date appearing on the quotation.
5. We reserve the right to take up financial references. Acceptance of any order shall be conditional upon such references being found by us to be satisfactory.
6. Prices are based on the cost of materials, components, accessories, labour, transport, statutory obligations and establishment charges and may be subject to variation if any change in such cost or in currency exchange rates affecting such cost takes place before or during the performance of the contract.
7. Carriage prices are inclusive of all carriage charges but any special despatch arrangements to or from ourselves made at the customer's request will be chargeable.
8. Payment of invoices of approved credit customers shall be due 30 days from date of invoice unless terms are stated on the invoice. If payment is delayed the company reserves the right to charge interest at the rate of 2 ½% per month or part of. The company reserves the right to employ Solicitors and/or Debt Collectors in order to recover the debt. The customer will be liable for all charges incurred by the company in recovering the debt.
9. From the date of despatch from our works or delivery by our own transport (as the case may be) until payment of the whole sum payable under the contract has been received by us, all goods shall be at the sole risk of the Purchaser who shall keep them insured against all risks and shall indemnify us against any depreciation or damage to the goods in the event of such payment not being made.
10. Whenever delivery is made before payment of the whole sum payable under the contract, goods delivered shall, to the extent permitted by the law of the country where the goods are situated after delivery, remain our property until we receive such payment. If such law does not permit us to retain the property in the goods we shall be entitled to the benefit of such rights in respect thereof as such law permits us to retain. The Purchaser shall give us every assistance, and shall procure that any ultimate user of the goods shall give every assistance in taking measures required to protect our right of property or other such rights as aforesaid.
11. All drawings, photographs, illustrations, advertisements, particulars and descriptive matter supplied by us are intended to present a general idea of the goods described therein but are not binding and are subject to change or variation from time to time.
12. Dimensions, weights, colour and performances are not guaranteed but will be within reasonable tolerances.
13. Colour Variation:
 - a) On material such as leather, vinyl, leathercloth, carpet, moquette and hardura colour variations can occur between production runs of each material.
 - b) There is often not a perfect colour match between different materials; often it is more an acceptable contrast.
 - c) Shading: All pile carpets are liable to shading and the customer is advised to take this into account when choosing the carpet. Therefore, the company will not entertain any claims with respect to shading.
 - d) Matching: Carpets cut from more than one roll may vary slightly in colour or pattern. The company reserves the right to supply the customer with the best match obtainable.
14. Despatch and completion times are approximate only and we accept no liability whatever in respect of any delay however caused. Such times shall date from the acceptance by us of a written order and shall be subject to our receiving as and when required all instructions, approved drawings, licences, letters of credit, guarantees, deposits, components to be provided by the Purchaser or his supplier and generally all such information and other assistance as may be necessary to enable the works to be carried out. Within seven days after the date of notification that any goods are ready for despatch, the Purchaser shall take delivery or arrange storage at the risk and cost of the Purchaser and the goods shall thereupon be deemed to have been delivered.
15. We shall be relieved of any obligations incurred under a contract and the Purchaser shall be responsible for any extra costs involved whenever and to the extent that the fulfilment of such obligations is prevented, frustrated or impeded as a consequence of war, civil war, strikes, lockouts, trade disputes, fire, earthquake, statutes or regulations issued by any duly constituted authority or other contingencies beyond our control.
16. If goods in transit within the United Kingdom are damaged or partially lost the Purchaser shall give notice of damage or loss in writing to us within 3 days of receipt of goods and to the carrier at once. If such goods are wholly lost the Purchaser shall give notice of damage or loss in writing to us and to the carrier (if any) within twenty-eight days after the transit began.
17. Cancellations: Cancellations cannot be accepted once goods have been cut or despatched. If the Purchaser proposes any alterations after the contract has been accepted, or is in breach of any term of contract, we shall have the right, inter alia, to charge the Purchaser (in addition to the contract price), the whole of the expenses arising from such proposal or breach, including in particular all extra drawings, surveys, materials, components, accessories, waiting time, together with establishment charges and profit allowances at the rate included in our original price.
18. The Purchaser shall be responsible for providing the necessary facilities and means of unloading goods delivered.
19. Any order placed by a Purchaser shall constitute a representation that the Purchaser has complied with every applicable statute, order, regulation, direction or bye-law and all other lawful requirements of any government or duly constituted authority and that, in particular, the Purchaser has lawfully obtained every necessary licence, permit or consent which may be required in connection with the performance of the contract.
20. Credit is not normally allowed on returned goods, such specific being assessed on its merits. No goods may be returned without our authority that we will accept the returns. Application for return must be made in writing 10 days from date of despatch. Credit if any, would be notified after we have inspected the goods at our works. Unless otherwise agreed by us in writing all such returns must be arranged and transported at the customer's expense. Credit will not be allowed on any goods which have been damaged or cut by the customer or their agents. All goods returned for credit must be in a saleable condition and will be subject to a 20% handling charge.





Company Information

Thank you for your enquiry, listed below is information which I hope you will find useful and relevant when making the important decision about replacing your classic car interior. Should you require any further information or help, please do not hesitate to contact us.

- *Established in 1980 to produce quality interior trim for British classic cars to original specification .*
- *Operated from a large modern factory in the small Cotswold town of Cirencester, situated about 80 miles (130 kilometres) west of London.*
- *Over the years our reputation is linked with **QUALITY & ORIGINALITY** but also flexible enough to produce that very special one off interior .*
- *All but a very few items are produced in our own factory by a team of dedicated trimmers and machinists.*
- *As a specialist trim manufacturer we can offer :*
 1. *Seat kits which are tailor-made, with all the necessary sewing complete and so are ready to fit. Shape , style and pleats are as original (together with heat embossed patterns on some TR & Austin-Healey models)*
 2. *Carpet kits professionally made in a wide range of colours and qualities, with heel pads , handbrake covers sewn in and with all originally bound edges complete.*
 3. *All our trim panel boards are cut on purpose made tooling so ensuring a consistent accurate shape and fit. All mounting holes, slots etc are pre-cut to ensure accurate and trouble free fitting.*
 4. *We have our own High Frequency Plastic Welding machines, these specialist machines when used with the correct tools heat emboss patterns into trim panels, e.g. the pattern found on many door panels, seat covers etc.*
 5. *We use only top quality materials, leather, vinyl, leathercloth, carpet, moquette, hardura & headlining .*
- *We take pride and care in ensuring the best possible colour match between different materials used in our trim products, but it is advisable to order all the parts you require at the same time to avoid any possible colour match problems.*
- *We are also flexible enough to offer a customer a more individual interior should that be required. Maybe a special colour or special coloured piping, all of this is no problem. It should be also noted that providing we can get the required vinyl it is possible to high frequency weld into any trim items original welded patterns as originally featured on that car.*
- *It should also be noted that because of the specialist nature of trim manufacture, it is likely that we will manufacture your order specially for your car, this can take 3 to 4 weeks depending upon our work load.*
- *We ship worldwide by land, sea & air.*
- *We accept payment by cash, cheque, bank draft , VISA & MASTERCARD*

- ***JOHN SKINNER (MANUFACTURING) LTD** is a recognised supplier for the British TR & Austin-Healey Clubs, is a long standing member of The Jaguar Specialists Association (This Association is recognised by Jaguar Cars Ltd)*

Keeping your Classic in Trim since 1980





Trim & Colour Reference Numbers

Colour	Leather	Vinyl	L/cloth	Carpet			For	Hoods	
		(Ambla)	(Vynide)	Wool	Classic	Standard	PVC	Duck	Mohair
Black	99951001	99948001	99949001	99950001	99950020	9995021	99954001	99954007	99954009
Black: Print	99951002	99948002	99949002	99950001	99950020	9995021	*	*	*
Red	99951003	99948003	99949003	99950002	99950022	9995017	99954004	*	*
Grey	99951004	99948004	99949004	99950004	*	9995019	99954016	*	*
Stone	99951020	99948005	99949005	99950009	*	9995019	99954002	*	99954020
Doeskin	99951020	99948005	99949005	99950009	*	*	99954002	*	99954020
Shadow :SG	99951006	99948006	99949006	99950005	*	*	*	*	*
Blue :RG	99951006	99948007	99949007	99950005	*	9995014	*	*	*
Light Tan	99951013	99948008	99949008	99950006	*	9995014	99954006	*	99954020
Biscuit	99951013	99948008	99949008	99950006 99950003	*	9995016	99954006	*	99954020
New : SG	99951007	99948009	99949009	99950007	99950024	9995015	*	*	*
Tan : RG	99951007	99948010	99949010	99950007	99950024	9995015	*	*	*
Chestnut	99951008	99948011	99949011	99950008	99950024	9995025	99954	*	*
Beige:RG	99951026	99948012	99949012	99950009	*	9995019	99954002	*	99954020
Parchment	99951017	99948013	99949045	99950009	*	9995020	99954005	*	*
Parchment-Jag	999510	99948052	*	99950009	*	*	*	*	*
Old Beige	99951005	99948015	99949015	99950009	*	*	99954002	*	99954020
Old Grey	99951023	99948016	99949016	99950004	*	9995020	99954016	*	*
Cinnamon	99951009	99948017	99949017	99950006 99950007	99950024	9995019	*	*	*
Dark Tan	99951025	*	99949018	99950007	99950024	*	*	*	*
Russet Red	99951011	99948019	99949019	99950013	99950023	*	99954014	*	*
Suede Green	99951010	99948020	99949020	99950014	*	*	99954	*	*
Maroon	99951012	99948021	99949021	99950015	*	9995018	99954018	*	*
Saville Grey	99951014	99948022	99949022	99950016	*	*	99954016	*	*
Dark Blue	99951022	99948023	99949023	99950017	99950023	9995022	99954021	*	99954013
Magnolia: Jag	99951015	99948024	99949024	99950009	*	*	*	*	*
Magnolia:RR	99951027	99948029	*	99950009	*	*	*	*	*
Dark Green	99951018	99948025	99949041	99950018	*	9995023	99954017	*	99954033
Midnight Blue	99951019	99948026	99949026	99950017 99950005	99950023	9995024	99954021	*	99954013
Bright Red	99951021	99948027	99949043	99950013	99950022	*	99954014	*	*
Dark Beige	99951028	99948028	99949028	99950006	*	*	*	*	*
White	99951	99948046	99949044	*	*	*	99954003	*	*

NOTE :

There are other colours available, samples are available for the following trim materials : Leather, Vinyl, Leathercloth, Moquette, Hardura : Headlining : Carpet - 3 qualities (some colours only)
Please note that very often we manufacture the trim specially for your classic car

Important

JOHN SKINNER (MANUFACTURING) LTD cannot Guarantee 100% colour matches to samples supplied or 100% colour match on extra materials or trim ordered after the original order is made. It is strongly recommended that all trim & extra materials are ordered at the same time. For best results send a colour sample for matching & we will supply the best colour match available. When you buy direct from us you are not just buying a part number with no service backup ! you are buying quality trim with help & advice if required.

Important

JOHN SKINNER (MANUFACTURING) LTD cannot Guarantee 100% colour matches to samples supplied or 100% colour match on extra materials or trim ordered after the original order is made. It is strongly recommended that all trim & extra materials are ordered at the same time. For best results send a colour sample for matching & we will supply the best colour match available. When you buy direct from us you are not just buying a part number with no service backup you are buying quality trim with help & advice if required.

Vinyl/Ambla : This material is a grained coloured plastic with a knitted cotton backing that stretches quite easily.

Leathercloth/Vynide : This material is a grained coloured plastic with a woven cotton backing that does not stretch very much.

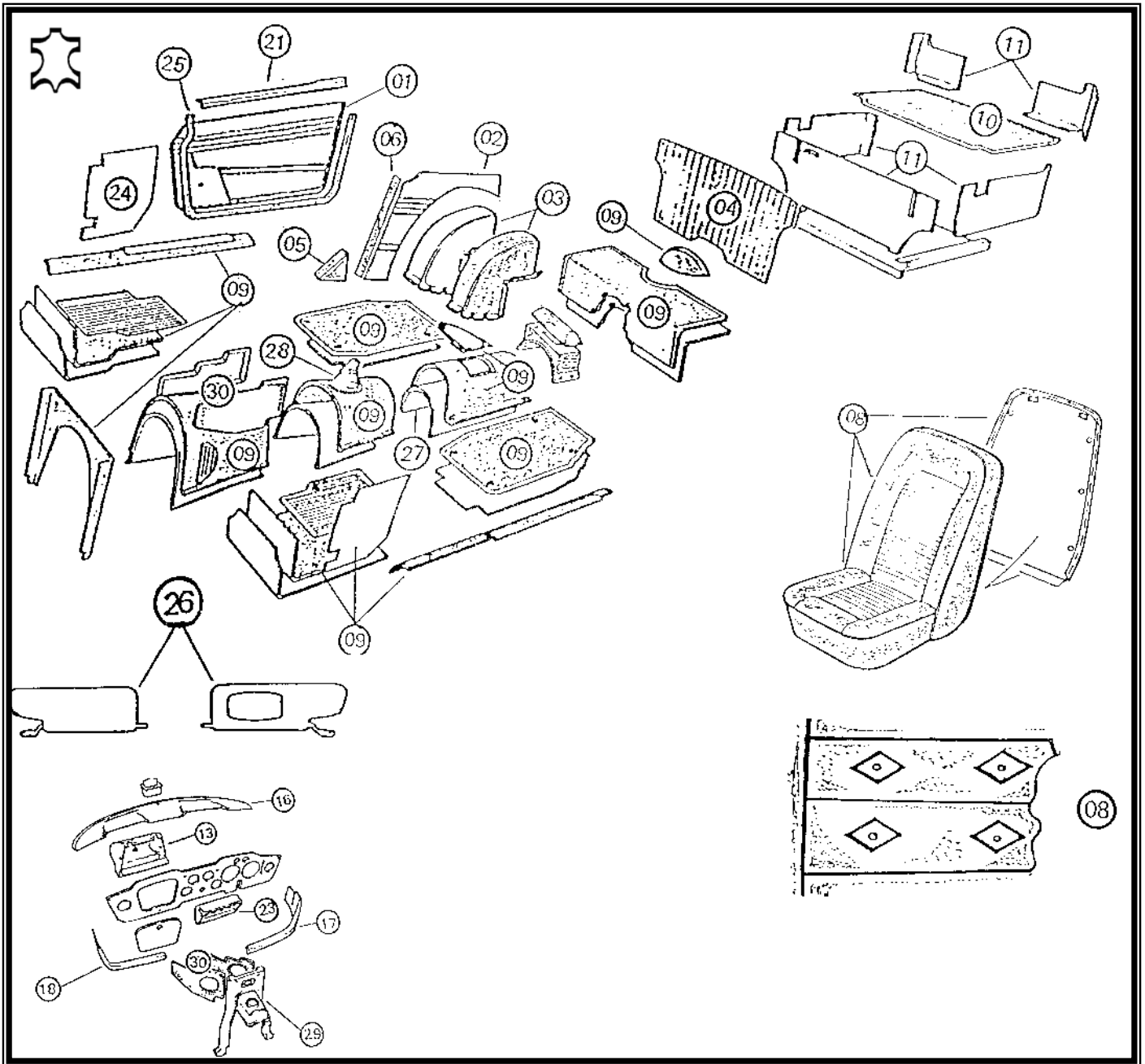
Hoarding : PVC is a coloured plastic, Duck is a cloth, Mohair is a cloth hoarding with a beige or black lining.

Keeping your Classic in Trim since 1980





TR6 Petrol Injection
(CP 1 To CP 50,000)





TR6 Petrol Injection
(CP 1 To CP 50,000)

Ref No	Description	Trim Colour	Black	Red	Shadow Blue	Light Tan	Grey	Special * State colour
		Piping Colour	Black	Red	S Blue	Light Tan	Grey	



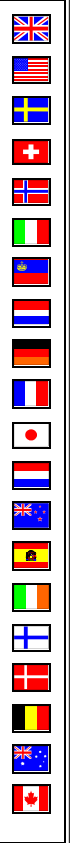
01	Door panels*		070360	070361	070362	070365	070366	070369
02	Quarter panels* [* Welded as original]		070420	070421	070422	070424	070423	070429
03	Wheel-arch covers & Foam		070430	070431	070432	070434	070433	070450
04	Bulkhead panel *		050410	050411	050412	050413	070451	070452
05	"B" Post finishers		060430	060431	060432	060433	060435	070455
06	"B" Post vinyl strips		040460	040461	040462	040463	070460	070461

01-	Trim Panel Kit: Vinyl *		070160	070161	070162	070164	070163	070169
06	Trim Panel Kit: All Leather		070220	070221	070222	070224	070223	070229

08	Seat Kit: front: No headrests [with diamond]		070570	070571	070572	070574	070573	070579
08	Seat Kit: front: No headrests - Leather faced		070670	070671	070672	070674	070673	070679
08	Seat Kit: front: No headrests - All Leather		070770	070771	070772	070774	070773	070779
	Seat Kit: rear cushion unit - available as option							

09	Carpet set: Wool-RHD		051101	051102	051103	051104	071101	051109
09	Carpet set: Wool-LHD		051140	051141	051142	051143	051145	051149
09	Carpet set: Classic-RHD		051122	051123				
09	Carpet set: Classic-LHD		051160	051161				
09	Carpet set: Standard-RHD		051130	051131		051133	071103	051139
09	Carpet set: Standard-LHD		051170	051171		051173	051174	051179

	Underfelt kit		051510					
10	Boot carpet: PI-Wool							
10	Boot carpet: PI-Standard		071303					071304
11	Boot liner set [5 pieces]: PI		071309					
	Seat foam kit		071508					
13	Glovebox:		061501					
16	Dashtop crashpad		061512					
17	Lower crashpad: RH - no steering lock		061515					
18	Lower crashpad: LH - no steering lock		061516					
19	Lower crashpad: RH - with steering lock		071503					
20	Lower crashpad: LH - with steering lock		071504					
21	Door Top Pull: RH		061513					
22	Door Top Pull: LH		061514					
23	Switch plinth		061517					
24	Bulkhead "A" post panel		041501					
25	Draught excluder - soft top car		041502					
26	Sunvisors: RHD		061506					
26	Sunvisors: LHD		061507					
	Sunvisor: No Mirror		061508					
	Sunvisor: Mirror-RHD		061509					
	Sunvisor: Mirror-LHD		061510					
26	Sunvisors - All Leather : RHD		061504					
26	Sunvisors - All Leather : LHD		061505					
	Windscreen frame re-trim kit		041514					
27	Trans board for under handbrake carpet		051511					
	Radiator cooling duct: PI		071501					
28	Gear lever gaitor - Vinyl		040474					040475
28	Gear lever gaitor - Leather		040476					040477
29	Centre console re-trim kit-Vinyl		050430					
29	Centre console re-trim kit-Leather		050431					050432
30	Centre console trim panels-Vinyl		070436					
30	Centre console trim panels-Leather		070438					
	Kit :Dashtop, L+R pads, Switch Plinth-Vinyl		060423	060423	060423	060423	060423	060423
	Kit : Dashtop, L+R pads, Switch Plinth-Leather		060424	060424	060424	060424	060424	060424
	Kit :Dashtop, L+R pads, Switch Plinth-Vinyl:TS							
	Kit : D'top, L+R pads, Switch Plinth-Leather:TS		060426	060426	060426	060426	060426	060426
	Headliner Kit Works Hardtop; To 50k- Black		071511					
	Headliner Kit Works Hardtop; 50k+- Beige		071512					
	Weather Equipment - See Page No : 43 - 46							
	Fitting Kits & Fittings - See Page No: 47 - 48							

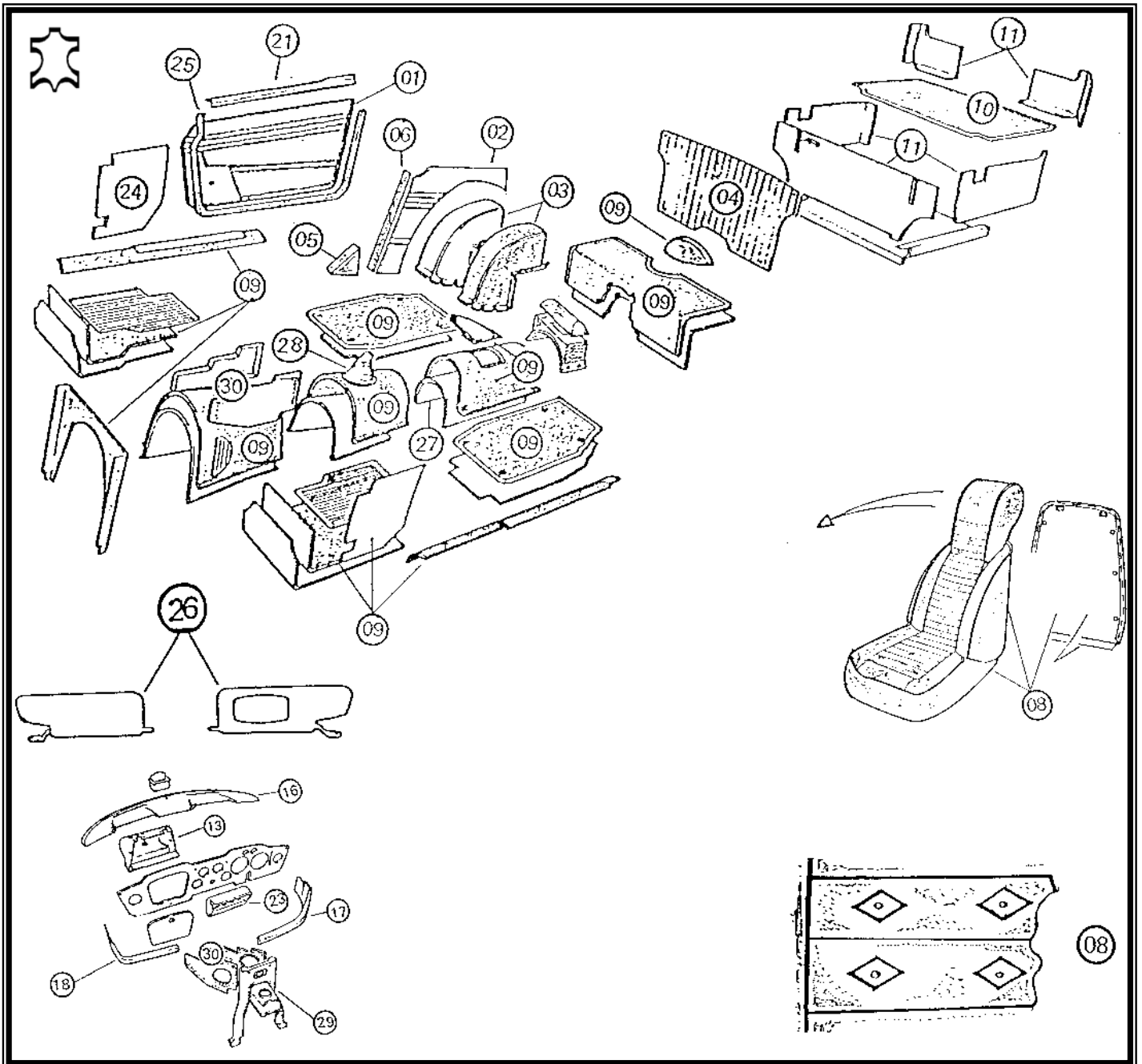


ε
&
∩





TR6 Carburettor
(CC1 To CC50,000)





**TR6 Carburettor
(CC1 To CC50,000)**

Ref No	Description	Trim Colour	Black	Red	Shadow Blue	Light Tan	Grey	Special * State colour
		Piping Colour	Black	Red	S Blue	Light Tan	Grey	



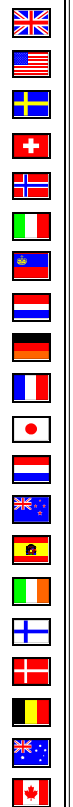
01	Door panels*		070360	070361	070362	070365	070366	070369
02	Quarter panels* [* Welded as original]		070420	070421	070422	070424	070423	070429
03	Wheel-arch covers & Foam		070430	070431	070432	070434	070433	070450
04	Bulkhead panel *		050410	050411	050412	050413	070451	070452
05	"B" Post finishers		060430	060431	060432	060433	060435	060439
06	"B" Post vinyl strips		040460	040461	040462	040463	070460	070461

	Trim Panel Kit: Vinyl *		070160	070161	070162	070164	070163	070169
	Trim Panel Kit: All Leather		070220	070221	070222	070224	070223	070229

08	Seat Kit: front: Tipping headrests [with diamond]		070580	070581	070582	070584	070583	070589
08	Seat Kit: front: Tipping headrests - Leather faced		070680	070681	070682	070684	070683	070689
08	Seat Kit: front: Tipping headrests - All Leather		070780	070781	070782	070784	070783	070789
	Seat Kit: rear cushion unit - available as option							

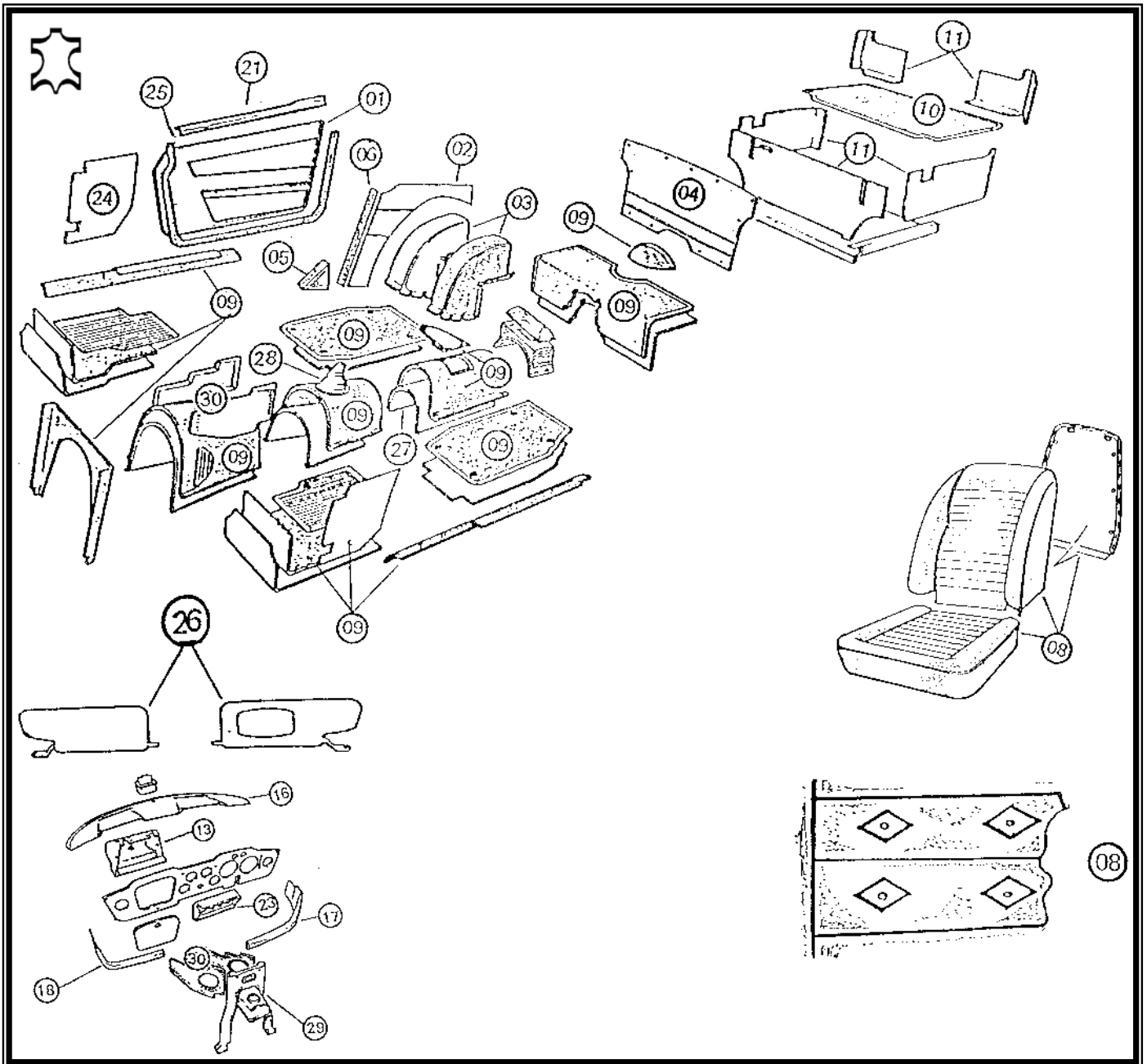
09	Carpet set: Wool-RHD		051101	051102	051103	051104	071101	051109
09	Carpet set: Wool-LHD		051140	051141	051142	051143	071102	051149
09	Carpet set: Classic-RHD		051122	051123				
09	Carpet set: Classic-LHD		051160	051161				
09	Carpet set: Standard-RHD		051130	051131		051133	071103	051139
09	Carpet set: Standard-LHD		051170	051171		051173	071104	051179

	Underfelt kit		051510					
10	Boot carpet: Carb-Wool							
10	Boot carpet: Carb-Standard		071307					071304
11	Boot liner set [5 pieces]: Carb		071309					
	Seat foam kit		071510					
13	Glovebox:		061501					
16	Dashtop crashpad		061512					
17	Lower crashpad: RH - no steering lock		061515					
18	Lower crashpad: LH - no steering lock		061516					
19	Lower crashpad: RH - with steering lock		071503					
20	Lower crashpad: LH - with steering lock		071504					
21	Door Top Pull: RH		061513					
22	Door Top Pull: LH		061514					
23	Switch plinth		061517					
24	Bulkhead "A" post panel		041501					
25	Draught excluder - soft top car		041502					
26	Sunvisors: RHD		061506					
26	Sunvisors: LHD		061507					
	Sunvisor: No Mirror		061508					
	Sunvisor: Mirror-RHD		061509					
	Sunvisor: Mirror-LHD		061510					
26	Sunvisors - All Leather : RHD		061504					
26	Sunvisors - All Leather : LHD		061505					
26	Sunvisors - All Leather : RHD		061504					
26	Sunvisors - All Leather : LHD		061505					
	Windscreen frame re-trim kit		041514					
27	Trans board for under handbrake carpet		051511					040475
	Radiator cooling duct: Carb		071502					040477
28	Gear lever gaitor - Vinyl		040474					
28	Gear lever gaitor - Leather		040476					040432
29	Centre console re-trim kit-Vinyl		050430					070437
29	Centre console re-trim kit-Leather		040431					070439
30	Centre console trim panels-Vinyl		070436					
30	Centre console trim panels-Leather		070438					
	Kit :Dashtop, L+R pads, Switch Plinth-Vinyl		060423					
	Kit : Dashtop, L+R pads, Switch Plinth-Leather		060424					
	Headliner Kit Works Hardtop; To 50k- Black		071511					
	Headliner Kit Works Hardtop; 50k+- Beige		071512					
	Weather Equipment - See Page No : 43 - 46							
	Fitting Kits & Fittings - See Page No: 47 - 48							





TR6 Petrol Injection
(CP 50,001 To CP 77,716)





TR6 Petrol Injection
(CP 50,001 To CP 77,716)

Ref No	Description	Trim Colour	Black	Red	Shadow Blue	New Tan	Grey	Special * State colour
		Piping Colour	Black	Red	S Blue	New Tan	Grey	



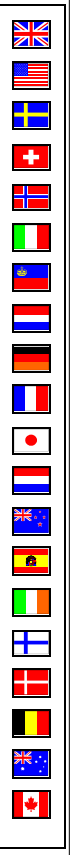
01	Door panels*		080370	080371	080372	080373	080374	080379
02	Quarter panels* [* Welded as original]		080420	080421	080422	080424	080423	080425
03	Wheel-arch covers & Foam		070430	070431	070432	080440	070433	070450
04	Bulkhead panel *		080430	080431	080432	080434	080433	080435
05	"B" Post finishers		060430	060431	060432	080441	060435	060439
06	"B" Post vinyl strips		040460	040461	040462	080442	070460	070461

01-	Trim Panel Kit: Vinyl *		080170	080171	080172	080173	080174	080179
06	Trim Panel Kit: All Leather		080230	080231	080232	080223	080234	080239

08	Seat Kit: front: [with diamond pattern]		080501	080502	080503	080504	080505	080509
08	Seat Kit: front: Leather faced		080601	080602	080603	080604	080605	080609
08	Seat Kit: front: All Leather		080701	080702	080703	080704	080705	080709
	Seat Kit: rear cushion unit – available as option							

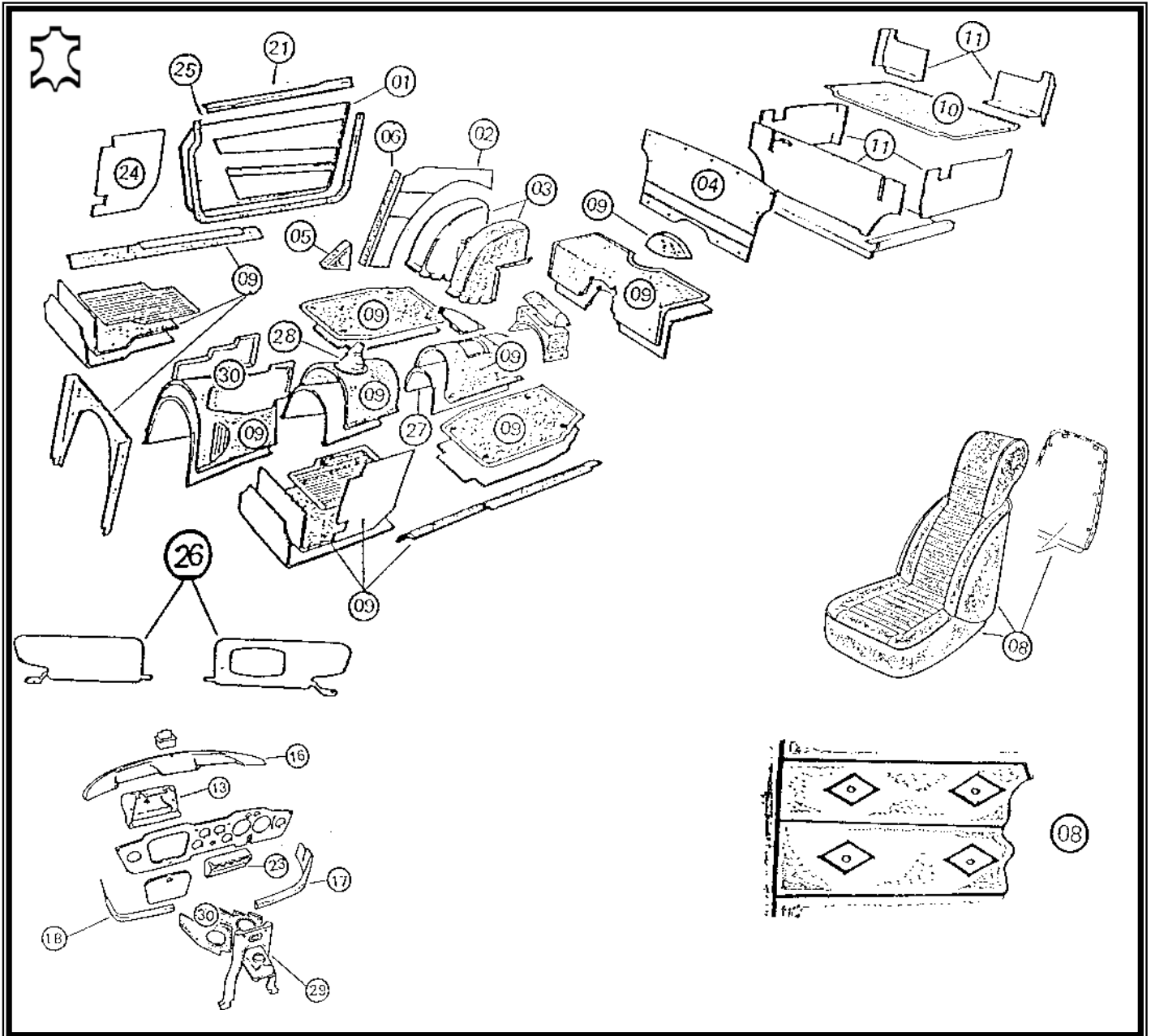
09	Carpet set: Wool-RHD		051101	051102	051103	081101	071101	051109
09	Carpet set: Wool-LHD		051140	051141	051142	081106	071102	051149
09	Carpet set: Classic-RHD		051122	051123		081109		
09	Carpet set: Classic-LHD		051160	051161		081110		
09	Carpet set: Standard-RHD		051130	051131		081103	071103	051139
09	Carpet set: Standard-LHD		051170	051171		081108	071104	051179

	Underfelt kit		051510					
10	Boot carpet: PI-Wool							
10	Boot carpet: PI-Standard		071303					071304
11	Boot liner set [5 pieces]: PI		071309					
	Seat foam kit		081501					
13	Glovebox:		061501					
16	Dashtop crashpad		061512					
17	Lower crashpad: RH – no steering lock		061515					
18	Lower crashpad: LH – no steering lock		061516					
19	Lower crashpad: RH – with steering lock		071503					
20	Lower crashpad: LH – with steering lock		071504					
21	Door Top Pull: RH		061513					
22	Door Top Pull: LH		061514					
23	Switch plinth		061517					
24	Bulkhead "A" post panel		041501					
25	Draught excluder – soft top car		041502					
26	Sunvisors: RHD		061506					
26	Sunvisors: LHD		061507					
	Sunvisor: No Mirror		061508					
	Sunvisor: Mirror-RHD		061509					
	Sunvisor: Mirror-LHD		061510					
26	Sunvisors – All Leather : RHD		061504					
26	Sunvisors - All Leather : LHD		061505					
	Windscreen frame re-trim kit		041514					
27	Trans board for under handbrake carpet		051511					
	Radiator cooling duct: PI		071502					
28	Gear lever gaitor - Vinyl		040474					040475
28	Gear lever gaitor - Leather		040476					040477
29	Centre console re-trim kit-Vinyl		050430					
29	Centre console re-trim kit-Leather		050431					050432
30	Centre console trim panels-Vinyl		070436					
30	Centre console trim panels-Leather		070438					
	Kit :dashtop, L+R pads, Switch Plinth-Vinyl		060423					
	Kit : dashtop, L+R pads, Switch Plinth-Leather		060424					
	Headliner Kit Works Hardtop; To 50k- Black		071511					
	Headliner Kit Works Hardtop; 50k+- Beige		071512					
	Weather Equipment – See Page No : 43 - 46							
	Fitting Kits & Fittings – See Page No: 47 - 48							





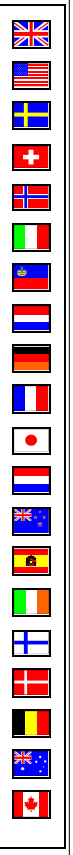
TR6 Carburettor
(CC 50,001 To CC 85,737)





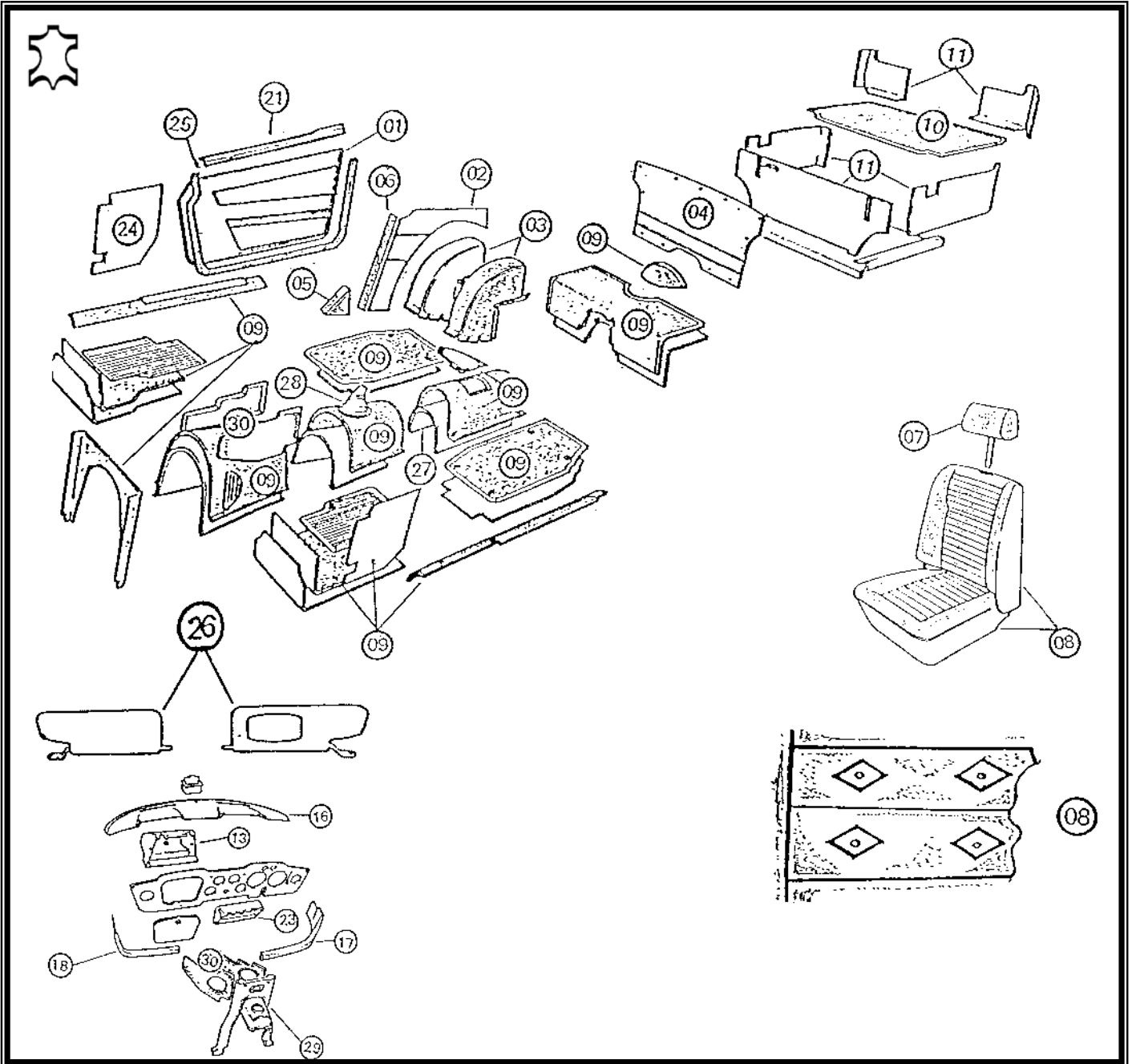
**TR6 Carburettor
(CC 50,001 To CC 85,737)**

Ref No	Description	Trim Colour	Black	Red	Shadow Blue	New Tan	Grey	Special * State colour
		Piping Colour	Black	Red	S Blue	New Tan	Grey	
01	Door panels*		080370	080371	080372	080373	080374	080379
02	Quarter panels* [* Welded as original]		080420	080421	080422	080424	080423	080425
03	Wheel-arch covers & Foam		070430	070431	070432	080440	070433	070450
04	Bulkhead panel *		080430	080431	080432	080434	080433	080435
05	"B" Post finishers		060430	060431	060432	080441	060435	070455
06	"B" Post vinyl strips		040460	040461	040462	080442	070460	070461
01-	Trim Panel Kit: Vinyl *		080170	080171	080172	080173	080174	080179
06	Trim Panel Kit: All Leather		080230	080231	080232	080223	080234	080239
08	Seat Kit: front: Fixed headrests [with diamond]		080510	080511	080512	080513	080514	080519
08	Seat Kit: front: Fixed headrests - Leather faced		080610	080611	080612	080613	080614	080619
08	Seat Kit: front: Fixed headrests - All Leather		080710	080711	080712	080713	080714	080719
	Seat Kit: rear cushion unit – available as option							
09	Carpet set: Wool-RHD		051101	051103	051103	081101	071101	051109
09	Carpet set: Wool-LHD		051140	051142	051142	081106	071102	051149
09	Carpet set: Classic-RHD		051122	051123		081109		
09	Carpet set: Classic-LHD		051160	051161		081110		
09	Carpet set: Standard-RHD		051130	051131		081103	071103	051139
09	Carpet set: Standard-LHD		051170	051171		081108	071104	051179
	Underfelt kit		051510					
10	Boot carpet: Carb-Wool							
10	Boot carpet: Carb-Standard		071307					071308
11	Boot liner set [5 pieces]: Carb		071310					
	Seat foam kit		081502					
13	Glovebox:		061501					
16	Dashtop crashpad		061512					
17	Lower crashpad: RH – no steering lock		061515					
18	Lower crashpad: LH – no steering lock		061516					
19	Lower crashpad: RH – with steering lock		071503					
20	Lower crashpad: LH – with steering lock		071504					
21	Door Top Pull: RH		061513					
22	Door Top Pull: LH		061514					
23	Switch plinth		061517					
24	Bulkhead "A" post panel		041501					
25	Draught excluder – soft top car		041502					
26	Sunvisors: RHD		061506					
26	Sunvisors: LHD		061507					
	Sunvisor: No Mirror		061508					
	Sunvisor: Mirror-RHD		061509					
	Sunvisor: Mirror-LHD		061510					
26	Sunvisors – All Leather : RHD		061504					
26	Sunvisors - All Leather : LHD		061505					
	Windscreen frame re-trim kit		041514					
27	Trans board for under handbrake carpet		051511					
	Radiator cooling duct: Carb		071502					
28	Gear lever gaitor – Vinyl		040474					040475
28	Gear lever gaitor – Leather		040476					040477
29	Centre console re-trim kit-Vinyl		050430					
29	Centre console re-trim kit-Leather		050431					050432
30	Centre console trim panels-Vinyl		070436					
30	Centre console trim panels-Leather		070438					
	Kit :dashtop, L+R pads, Switch Plinth-Vinyl		060423					
	Kit : dashtop, L+R pads, Switch Plinth-Leather		060424					
	Headliner Kit Works Hardtop; To 50k- Black		071511					
	Headliner Kit Works Hardtop; 50k+- Beige		071512					
	Weather Equipment – See Page No : 43 - 46							
	Fitting Kits & Fittings – See Page No: 47 - 48							





TR6 Petrol Injection
(CR 1 To CR 12,500)





**TR6 Petrol Injection
(CR 1 To CR 12,500)**

Ref No	Description	Trim Colour	Black	Shadow Blue	Beige	New Tan	Chestnut	Special * State colour
		Piping Colour	Black	S Blue	Beige	N Tan	Chestnut	



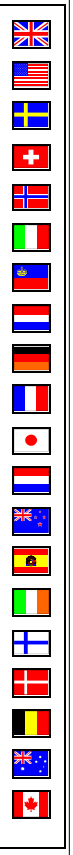
01	Door panels*		090380	090381		090382	090383	090389
02	Quarter panels* [* Welded as original]		090420	090421	090424	090422	090423	090425
03	Wheel-arch covers & Foam		090440	090441	100444	090442	090443	090445
04	Bulkhead panel *		090430	090431	100434	090432	090433	090436
05	"B" Post finishers		090450	090451	100454	090452	090453	090459
06	"B" Post vinyl strips		090460	090461	100464	090462	090463	090465

01-	Trim Panel Kit: Vinyl *		090180	090181		090182	090183	090189
06	Trim Panel Kit: All Leather		090240	090242		090243	090244	090249

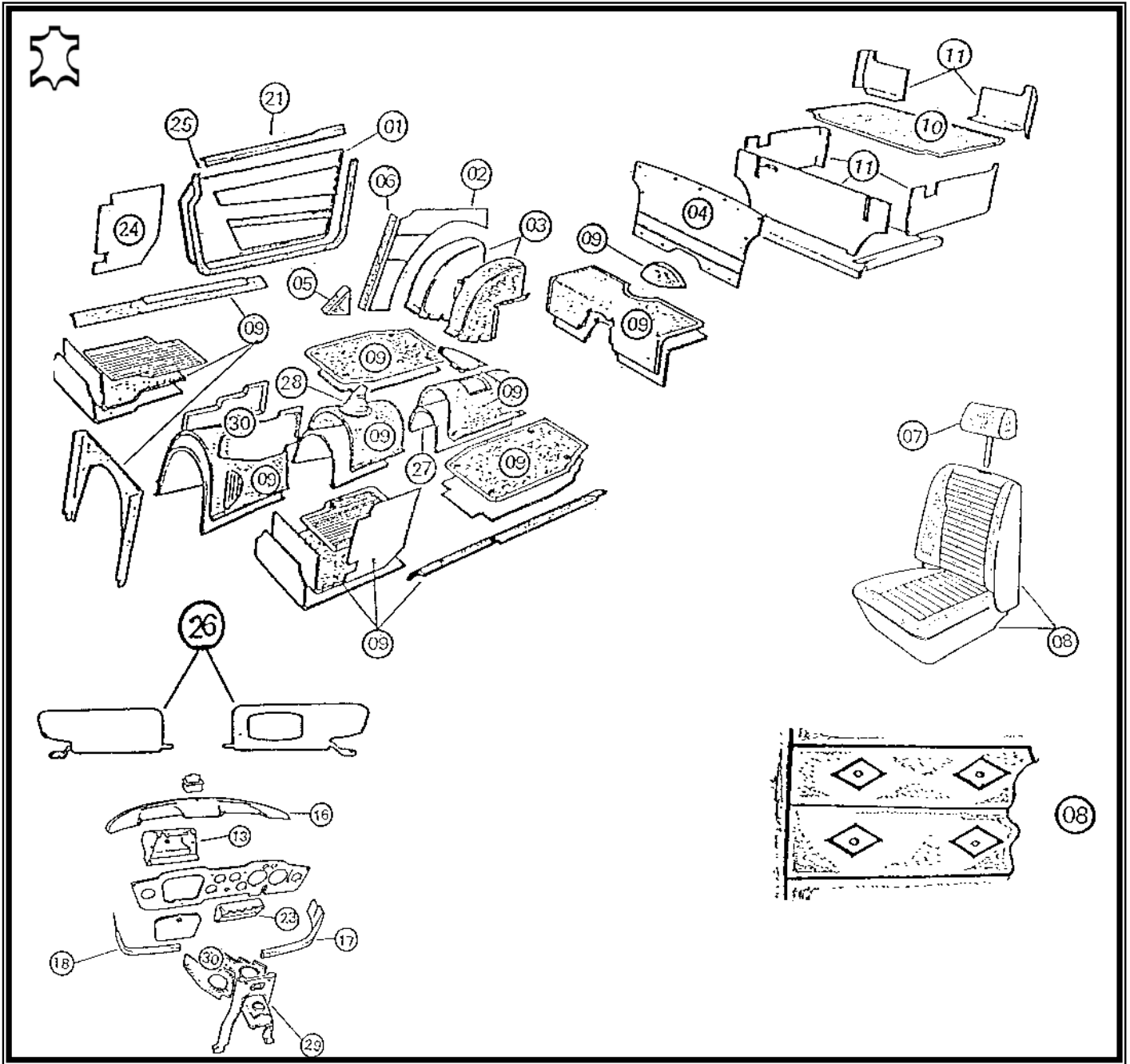
08	Seat Kit: front: [with diamond pattern]		090520	090521	090522	090523	090524	090529
08	Seat Kit: front: Leather faced		090620	090621	090622	090623	090624	090629
08	Seat Kit: front: All Leather		090720	090721	090722	090723	090724	090729
07	Headrest covers: Vinyl		090530	090531	090532	090533	090534	090539
07	Headrest covers: Leather		090630	090631	090632	090633	090634	090639

09	Carpet set: Wool-RHD		051101	051103		081101	091101	051109
09	Carpet set: Wool-LHD		051140	051142		081106	091106	051149
09	Carpet set: Classic-RHD		051122	051123		081109		
09	Carpet set: Classic-LHD		051160	051161		081110		
09	Carpet set: Standard-RHD		051130			081103	091103	051139
09	Carpet set: Standard-LHD		051170			081108	091108	051179

	Underfelt kit		051510					
10	Boot carpet: Carb-Wool							
10	Boot carpet: Carb-Standard		071303					071304
11	Boot liner set [5 pieces]: Carb		071309					
	Seat foam kit		091501					
13	Glovebox:		061501					
16	Dashtop crashpad		061512					
17	Lower crashpad: RH - no steering lock		061515					
18	Lower crashpad: LH - no steering lock		061516					
19	Lower crashpad: RH - with steering lock		071503					
20	Lower crashpad: LH - with steering lock		071504					
21	Door Top Pull: RH		061513					
22	Door Top Pull: LH		061514					
23	Switch plinth		061517					
24	Bulkhead "A" post panel		041501					
25	Draught excluder - soft top car		041502					
26	Sunvisors: RHD		061506					
26	Sunvisors: LHD		061507					
	Sunvisor: No Mirror		061508					
	Sunvisor: Mirror-RHD		061509					
	Sunvisor: Mirror-LHD		061510					
26	Sunvisors - All Leather : RHD		061504					
26	Sunvisors - All Leather : LHD		061505					
	Windscreen frame re-trim kit		041514					
27	Trans board for under handbrake carpet		051511					
	Radiator cooling duct: Carb		071501					
28	Gear lever gaitor - Vinyl		040474					040475
28	Gear lever gaitor - Leather		040476					040477
29	Centre console re-trim kit-Vinyl		050430					
29	Centre console re-trim kit-Leather		050431					050432
30	Centre console trim panels-Vinyl		070440					
30	Centre console trim panels-Leather		070442					
	Kit : dashtop, L+R pads, Switch Plinth-Vinyl		060423					
	Kit : dashtop, L+R pads, Switch Plinth-Leather		060424					
	Headliner Kit Works Hardtop; To 50k- Black		071511					
	Headliner Kit Works Hardtop; 50k+- Beige		071512					
	Weather Equipment - See Page No : 43 - 46							
	Fitting Kits & Fittings - See Page No: 47 - 48							



TR6 Carburetor
(CF1 To CF12,500)





TR6 Carburetor
(CF 1 To CF 12,500)

Ref No	Description	Trim Colour	Black	Shadow Blue	Beige	New Tan	Chestnut	Special * State colour
		Piping Colour	Black	S Blue	Beige	N Tan	Chestnut	



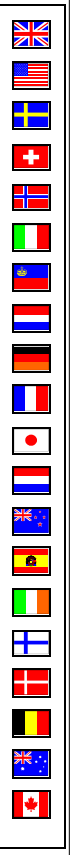
01	Door panels*		090380	090381		090382	090383	090389
02	Quarter panels* [* Welded as original]		090420	090421	090424	090422	090423	090425
03	Wheel-arch covers & Foam		090440	090441	100444	090442	090443	090445
04	Bulkhead panel *		090430	090431	100434	090432	090433	090436
05	"B" Post finishers		090450	090451	100454	090452	090453	090459
06	"B" Post vinyl strips		090460	090461	100464	090462	090463	090465

01-	Trim Panel Kit: Vinyl *		090180	090181		090182	090183	090189
06	Trim Panel Kit: All Leather		090240	090242		090243	090244	090249

08	Seat Kit: front: [with diamond pattern]		090520	090521	090522	090523	090524	090529
08	Seat Kit: front: Leather faced		090620	090621	090622	090623	090624	090629
08	Seat Kit: front: All Leather		090720	090721	090722	090723	090724	090729
07	Headrest covers: Vinyl		090530	090531	090532	090533	090534	090539
07	Headrest covers: Leather		090630	090631	090632	090633	090635	090639

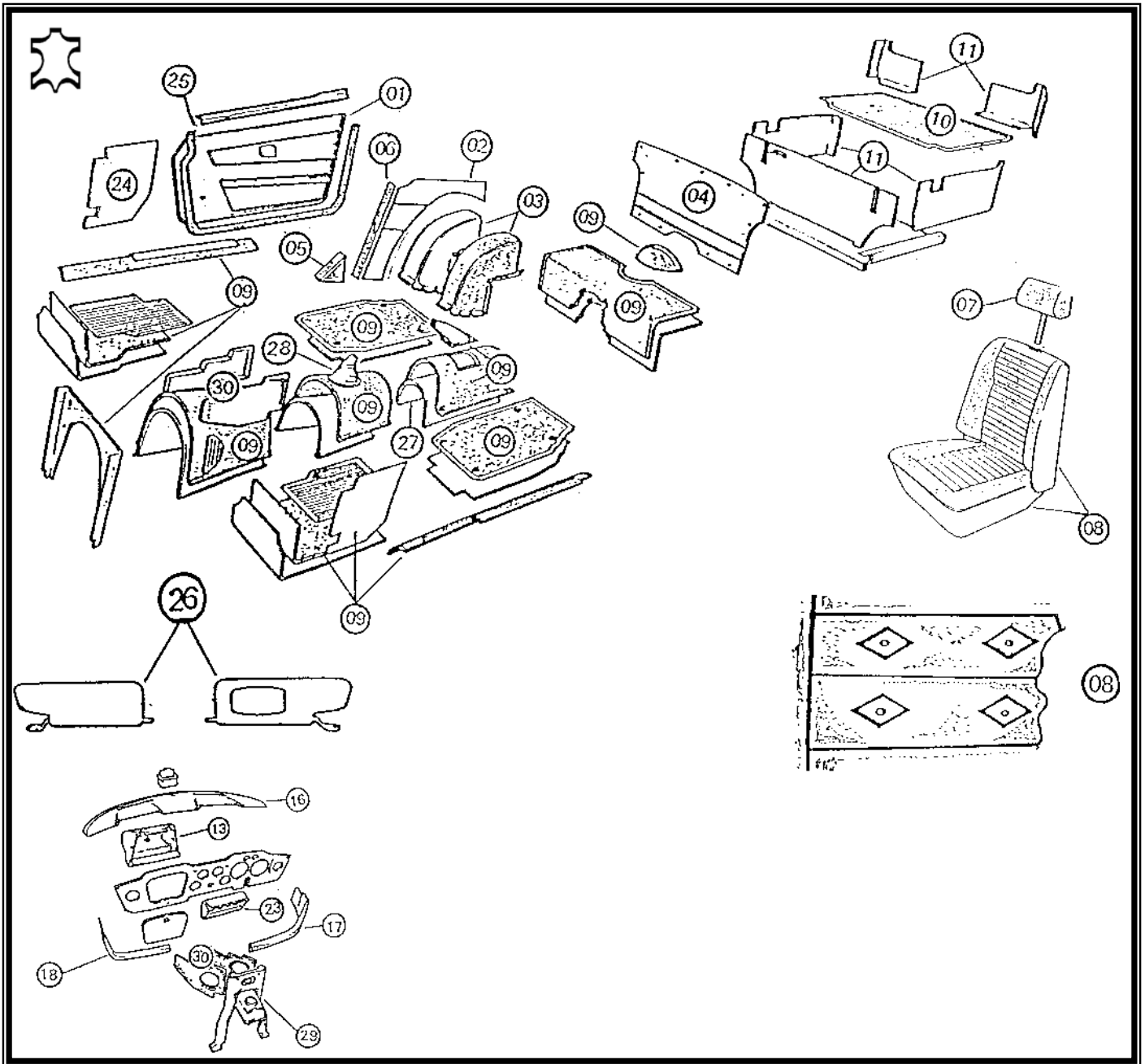
09	Carpet set: Wool-RHD		051101	051103	101101	081101	091101	051109
09	Carpet set: Wool-LHD		051140	051142	101106	081106	091106	051149
09	Carpet set: Classic-RHD		051122	051123		081109		
09	Carpet set: Classic-LHD		051160	051161		081110		
09	Carpet set: Standard-RHD		051130		101103	081103	091103	051139
09	Carpet set: Standard-LHD		051170		101108	081108	091108	051179

	Underfelt kit		051510					
10	Boot carpet: Carb-Wool							
10	Boot carpet: Carb-Standard		071307					071308
11	Boot liner set [5 pieces]: Carb		071310					
	Seat foam kit		091501					
13	Glovebox:		061501					
16	Dashtop crashpad		061512					
17	Lower crashpad: RH - no steering lock		061515					
18	Lower crashpad: LH - no steering lock		061516					
19	Lower crashpad: RH - with steering lock		071503					
20	Lower crashpad: LH - with steering lock		071504					
21	Door Top Pull: RH		061513					
22	Door Top Pull: LH		061514					
23	Switch plinth		061517					
24	Bulkhead "A" post panel		041501					
25	Draught excluder - soft top car		041502					
26	Sunvisors: RHD		061506					
26	Sunvisors: LHD		061507					
	Sunvisor: No Mirror		061508					
	Sunvisor: Mirror-RHD		061509					
	Sunvisor: Mirror-LHD		061510					
26	Sunvisors - All Leather : RHD		061504					
26	Sunvisors - All Leather : LHD		061505					
	Windscreen frame re-trim kit		041514					
27	Trans board for under handbrake carpet		051511					
	Radiator cooling duct: Carb		071501					
28	Gear lever gaitor - Vinyl		040474					040475
28	Gear lever gaitor - Leather		040476					040477
29	Centre console re-trim kit-Vinyl		050430					
29	Centre console re-trim kit-Leather		050431					050432
30	Centre console trim panels-Vinyl		070440					
30	Centre console trim panels-Leather		070442					
	Kit : dashtop, L+R pads, Switch Plinth-Vinyl		060423					
	Kit : dashtop, L+R pads, Switch Plinth-Leather		060424					
	Headliner Kit Works Hardtop; To 50k- Black		071511					
	Headliner Kit Works Hardtop; 50k+- Beige		071512					
	Weather Equipment - See Page No : 43 - 46							
	Fitting Kits & Fittings - See Page No: 47 - 48							





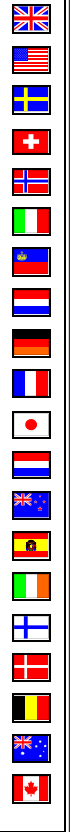
TR6 Petrol Injection
(CR 12,501 to end)





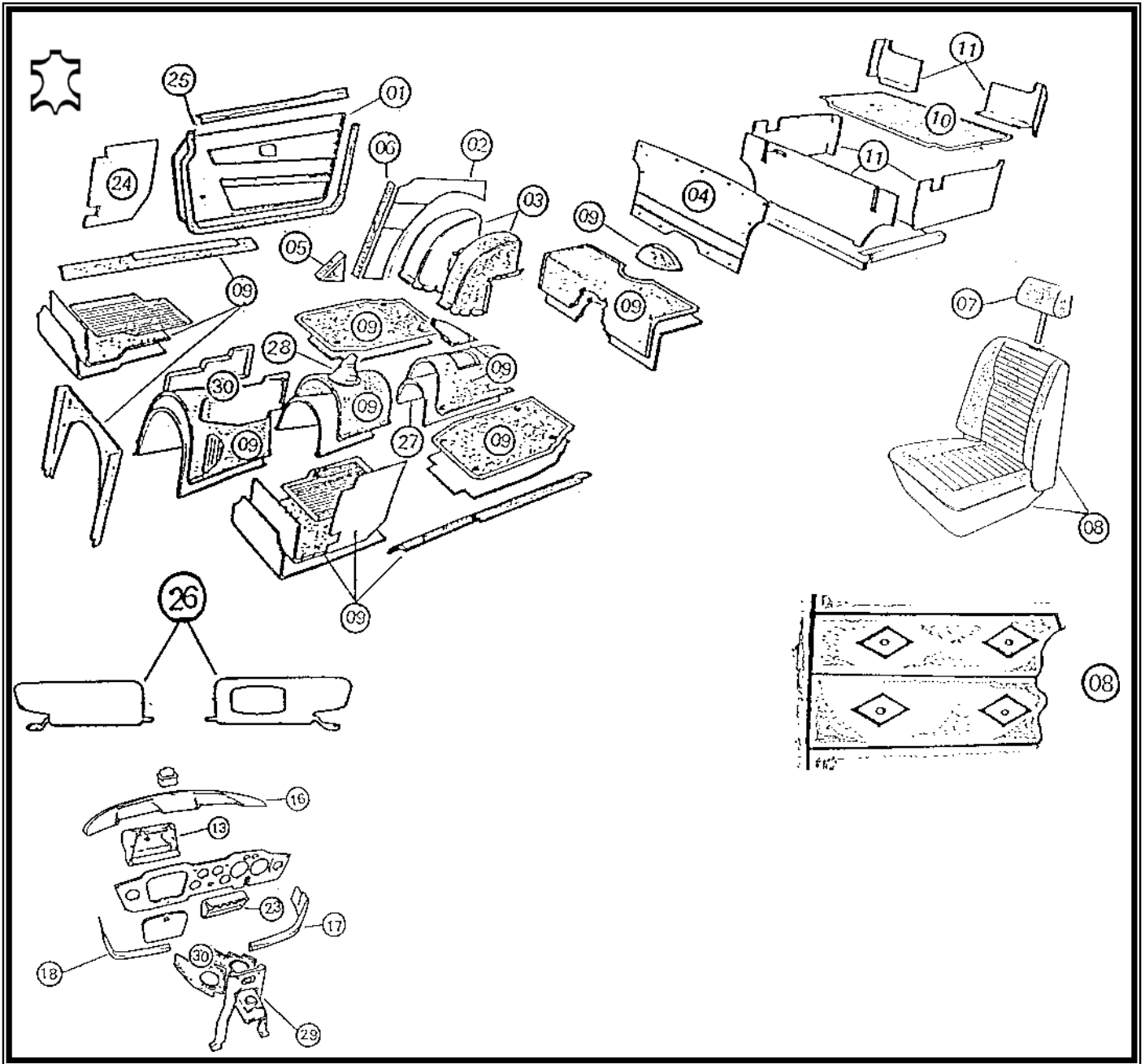
TR6 Petrol Injection
(CR 12,501 to end)

Ref No	Description	Trim Colour	Black	Shadow Blue	Beige	New Tan	Chestnut	Special * State colour
		Piping Colour	Black	S Blue	Beige	New Tan	Chestnut	
01	Door panels*		100390	100391	100392	100393	100394	100399
02	Quarter panels* * = Welded as original		090420	090421	090424	090422	090423	090425
03	Wheel-arch covers & Foam		090440	090441	100444	090442	090443	090445
04	Bulkhead panel *		090430	090431	100434	090432	090433	090436
05	"B" Post finishers		090450	090451	100454	090452	090453	090459
06	"B" Post vinyl strips		090460	090461	100464	090462	090462	090465
01-	Trim Panel Kit: Vinyl *		100190	100191	100192	100193	100194	100199
06	Trim Panel Kit: All Leather		100250	100251	100252	100253	100254	100259
08	Seat Kit: front: [with diamond]		090520	090521	090522	090523	090524	090529
08	Seat Kit: front: Leather faced		090620	090621	090622	090623	090624	090629
08	Seat Kit: front: All Leather		090720	090721	090722	090723	090724	090729
07	Headrest covers: Vinyl		090530	090531	090532	090533	090534	090539
07	Headrest covers: Leather		090630	090631	090632	090633	090634	090639
09	Carpet set: Wool-RHD		051101	051103	101101	081101	091101	051109
09	Carpet set: Wool-LHD		051140	051142	101106	081106	091106	051149
09	Carpet set: Classic-RHD		051122	051123		081109		
09	Carpet set: Classic-LHD		051160	051161		081110		
09	Carpet set: Standard-RHD		051130		101103	081103	091103	051139
09	Carpet set: Standard-LHD		051170		101108	081108	091108	051179
	Underfelt kit		051510					
10	Boot carpet: PI-Wool							071305
10	Boot carpet: PI-Standard		071303					071304
11	Boot liner set [5 pieces]: PI		071309					
	Seat foam kit		091501					
13	Glovebox:		061501					
16	Dashtop crashpad		061512					
17	Lower crashpad: RH - no steering lock		061515					
18	Lower crashpad: LH - no steering lock		061516					
19	Lower crashpad: RH - with steering lock		071503					
20	Lower crashpad: LH - with steering lock		071504					
21	Door Top Re-trim Kit: RH							
22	Door Top Re-trim Kit: LH							
23	Switch plinth		061517					
24	Bulkhead "A" post panel		041501					
25	Draught excluder - soft top car		041502					
26	Sunvisor: RHD		061506					
26	Sunvisor: LHD		061507					
	Sunvisor: No Mirror		061508					
	Sunvisor: Mirror-RHD		061509					
	Sunvisor: Mirror-LHD		061510					
26	Sunvisors - All Leather : RHD		061504					
26	Sunvisors - All Leather : LHD		061505					
	Windscreen frame re-trim kit		041514					
27	Trans board for under carpet		051511					
	Radiator cooling duct: PI		071501					
28	Gear lever gaitor - Vinyl		040474					040475
28	Gear lever gaitor - Leather		040476					040477
29	Centre console re-trim kit-Vinyl		050430					
29	Centre console re-trim kit-Leather		050431					050432
30	Centre console trim panels-Vinyl		070440					
30	Centre console trim panels-Leather		070442					
	Kit :dashtop, L+R pads, Switch Plinth-Vinyl		060423					
	Kit : dashtop, L+R pads, Switch Plinth-Leather		060424					
	Headliner Kit Works Hardtop; To 50k- Black		071511					
	Headliner Kit Works Hardtop; 50k+- Beige		071512					
	Weather Equipment - See Page No : 43 - 46							
	Fitting Kits & Fittings - See Page No: 47 - 48							





TR6 Carburettor
(CF12,501 to end)





TR6 Carburettor
(CF 12,501 to end)

Ref No	Description	Trim Colour	Black	Shadow Blue	Beige	New Tan	Chestnut	Special * State colour
		Piping Colour	Black	S Blue	Beige	New Tan	Chestnut	



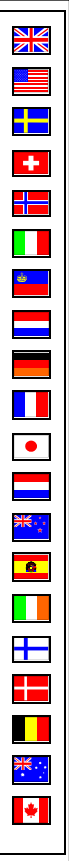
01	Door panels*		100390	100391	100392	100393	100394	100399
02	Quarter panels* * = Welded as original		090420	090421	090424	090422	090423	090425
03	Wheel-arch covers & Foam		090440	090441	100444	090442	090443	090445
04	Bulkhead panel *		090430	090431	100434	090432	090433	090436
05	"B" Post finishers		090450	090451	100454	090452	090453	090459
06	"B" Post vinyl strips		090460	090461	100464	090462	090462	090465

01-	Trim Panel Kit: Vinyl *		100190	100191	100192	100193	100194	100199
07	Trim Panel Kit: All Leather		100250	100251	100252	100253	100254	100259

08	Seat Kit: front: [with diamond pattern]		090520	090521	090522	090523	090524	090529
08	Seat Kit: front: Leather faced		090620	090621	090622	090623	090624	090629
08	Seat Kit: front: All Leather		090720	090721	090722	090723	090724	090729
07	Headrest covers: Vinyl		090530	090531	090532	090533	090534	090539
07	Headrest covers: Leather		090630	090631	090632	090633	090634	090639

09	Carpet set: Wool-RHD		051101	051103	101101	081101	091101	051109
09	Carpet set: Wool-LHD		051140	051142	101106	081106	091106	051149
09	Carpet set: Classic-RHD		051122	051123		081109		
09	Carpet set: Classic-LHD		051160	051161		081110		
09	Carpet set: Standard-RHD		051130		101103	081103	091103	051139
09	Carpet set: Standard-LHD		051170		101108	081108	091108	051179

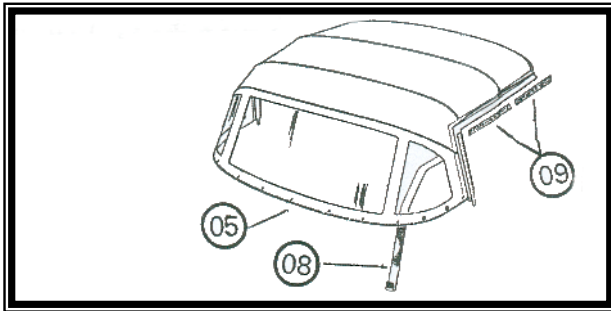
	Underfelt kit		051510					
10	Boot carpet: Carb-Wool							
10	Boot carpet: Carb-Standard		071307					071308
11	Boot liner set [5 pieces]: Carb		071310					
	Seat foam kit		091501					
13	Glovebox:		061501					
16	Dashtop crashpad		061512					
17	Lower crashpad: RH - no steering lock		061515					
18	Lower crashpad: LH - no steering lock		061516					
19	Lower crashpad: RH - with steering lock		071503					
20	Lower crashpad: LH - with steering lock		071504					
21	Door Top Re-trim Kit ; RH							
22	Door Top Re-trim Kit ; LH							
23	Switch plinth		061517					
24	Bulkhead "A" post panel		041501					
25	Draught excluder - soft top car		041502					
26	Sunvisor: RHD		061506					
26	Sunvisor: LHD		061507					
	Sunvisor: No Mirror		061508					
	Sunvisor: Mirror-RHD		061509					
	Sunvisor: Mirror-LHD		061510					
26	Sunvisors - All Leather : RHD		061504					
26	Sunvisors - All Leather : LHD		061505					
	Windscreen frame re-trim kit		041514					
27	Trans board for under carpet		051511					
	Radiator cooling duct: Carb		071501					
28	Gear lever gaitor - Vinyl		040474					040475
28	Gear lever gaitor - Leather		040476					040477
29	Centre console re-trim kit-Vinyl		050430					
29	Centre console re-trim kit-Leather		050431					050432
30	Centre console trim panels-Vinyl		070440					
30	Centre console trim panels-Leather		070442					
	Kit : dashtop, L+R pads, Switch Plinth-Vinyl		060423					
	Kit : dashtop, L+R pads, Switch Plinth-Leather		060424					
	Headliner Kit Works Hardtop; To 50k- Black		071511					
	Headliner Kit Works Hardtop; 50k+- Beige		071512					
	Weather Equipment - See Page No : 43 - 46							
	Fitting Kits & Fittings - See Page No: 47 - 48							



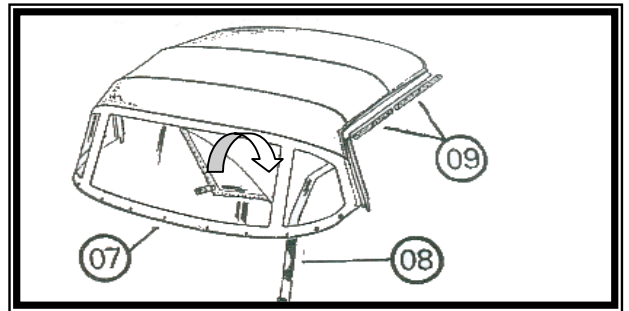


Weather Equipment : TR6

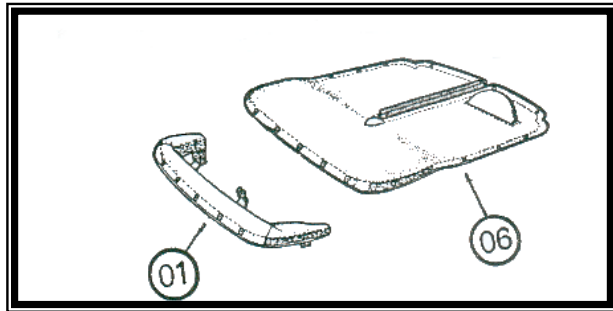
Hood & Fittings TR5 & TR250



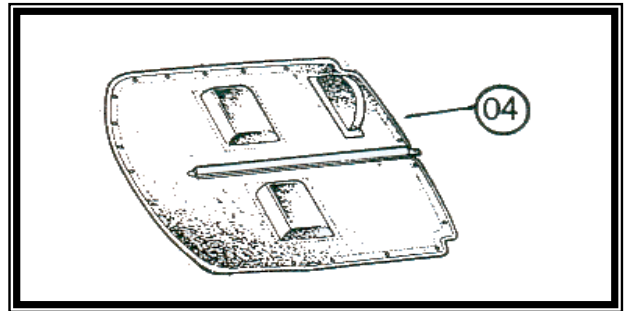
Hood (zip out window) & Fittings TR6



*Tonneau Cover & Fittings TR6
Hood Frame Cover & Fittings TR6*



Tonneau Cover (with Headrests) & Fittings TR6



Keeping your Classic Car in Trim since 1980

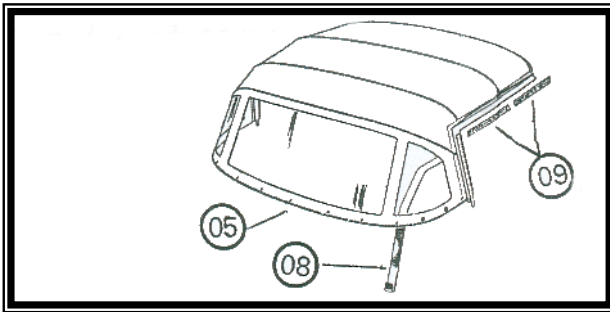
© copyright JOHN SKINNER (MANUFACTURING) LTD 1997



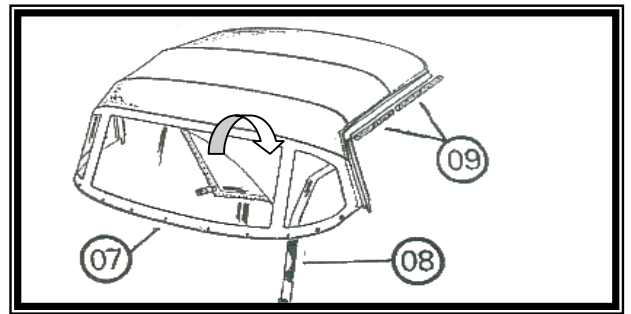


Weather Equipment : TR6

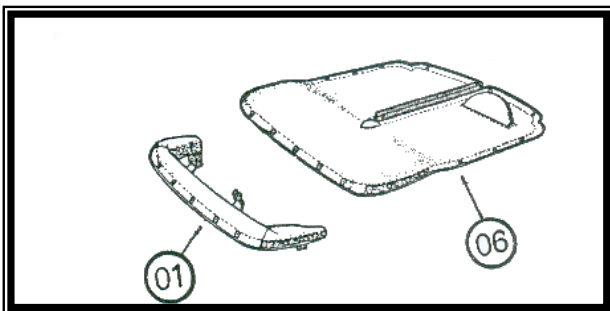
Hood & Fittings TR5 & TR250



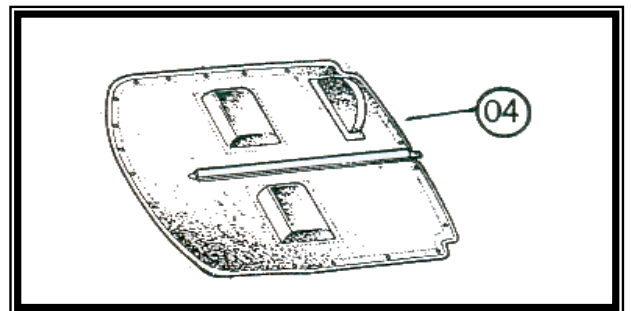
Hood (zip out window) & Fittings TR6



*Tonneau Cover & Fittings TR6 &
Hood Frame Cover & Fittings TR6*



Tonneau Cover (with Headrests) & Fittings TR6



Keeping your Classic Car in Trim since 1980

© copyright JOHN SKINNER (MANUFACTURING) LTD 1997





Weather Equipment : TR6

Ref No	Description	Trim Colour	Black	Red	White	Light Tan	Blue	New Tan
		Piping Colour	Black	Red	White	Biscuit	Blue	New Tan

01	Hood Frame Cover: Soft Top		071240	071241	071248	071243		071244
01	Hood Frame Cover: Duck - Soft Top		071250	*	*	*	*	*
01	Hood Frame Cover: Mohair - Soft Top		071251	*	*	*	071253	*

01	Hood Frame Cover: Soft Top - Leather		071275					
01	Hood Frame Cover: Hard Top		071255	071256		071258		071259
01	Hood Frame Cover: Duck - Hard Top			*	*	*	*	*
01	Hood Frame Cover: Mohair - Hard Top			*	*	*		*
01	Hood Frame Cover: Soft & Hard Top		071263	071264		071266		071267

07	Hood: PVC		071276	071277	071278	071280	071279	
07	Hood: Duck		071286	*	*	*	*	*
07	Hood: Mohair		071291	*	*	*	071292	*
08	Hood Webbing		011201	*	*	*	*	*
09	Hood Velcro		051201	*	*	*	*	*

06	Tonneau: RHD		071201	071202	071204	071205		
06	Tonneau: RHD - Duck		071207	*	*	*	*	*
06	Tonneau: RHD - Mohair		071209	*	*	*	071232	*

06	Tonneau: LHD		071210	071211	071213	071214		
06	Tonneau: LHD - Duck		071221	*	*	*	*	*
06	Tonneau: LHD - Mohair		071231	*	*	*	071233	*

04	Tonneau + H/R : RHD		081201	081202	081204			
04	Tonneau+ H/R : RHD - Duck		081210	*	*	*	*	*
04	Tonneau+ H/R : RHD - Mohair		081211	*	*	*	081212	*

04	Tonneau+ H/R : LHD		081220	081221	081223			
04	Tonneau+ H/R : LHD - Duck		081232	*	*	*	*	*
04	Tonneau+ H/R : LHD - Mohair		081242	*	*	*	*	*

Ref No	Description	Trim Colour	Brown		Shadow Blue	Chestnut	Off White	Dark Green
		Piping Colour	Brown		Shadow Blue	Chestnut	Off White	Dk Green
01	Hood Frame Cover: Soft Top				071242	071245	071246	
01	Hood Frame Cover: Hard Top		071260		071257			
01	Hood Frame Cover: Soft & Hard Top		071268		071265	071268		

07	Hood: PVC						071282	

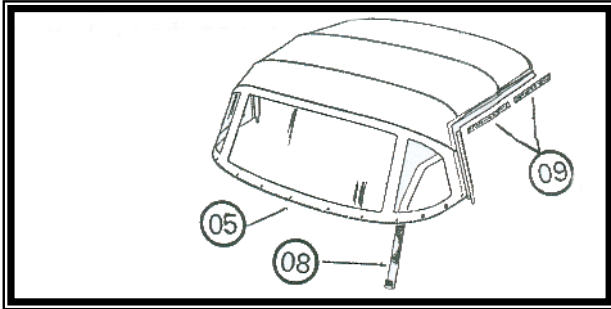
NOTE: Weather Equipment includes some fittings !



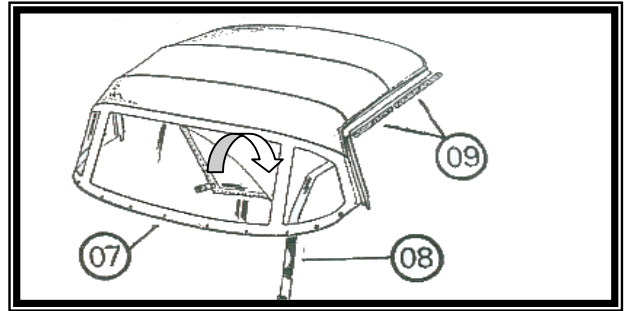


Weather Equipment : TR6

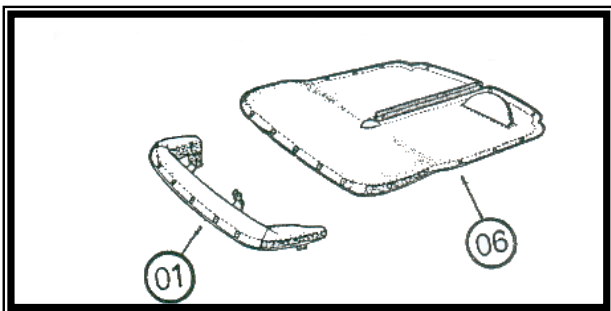
Hood & Fittings TR5 & TR250



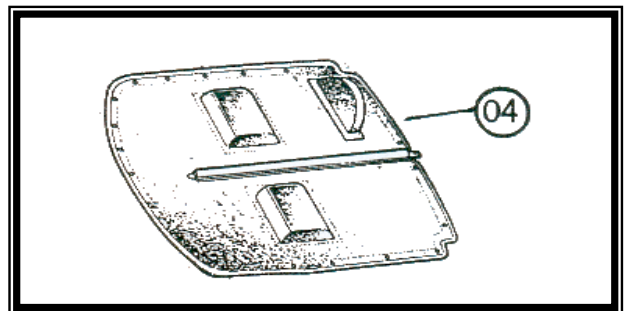
Hood (zip out window) & Fittings TR6



*Tonneau Cover & Fittings TR6 &
Hood Frame Cover & Fittings TR6*



Tonneau Cover (with Headrests) & Fittings TR6





Weather Equipment : TR6

Ref No	Description	Trim Colour	Beige	Off White	Dk Green	Special *State Colour*
		Piping Colour	Beige	Off White	Dk Green	
01	Hood Frame Cover: Soft Top		071247	*	*	
01	Hood Frame Cover: Duck – Soft Top		*	*	*	
01	Hood Frame Cover: Mohair – Soft Top		071252	*	*	
01	Hood Frame Cover: Soft Top – Leather					
01	Hood Frame Cover: Hard Top		071261	*	*	
01	Hood Frame Cover: Duck – Hard Top		*	*	*	
01	Hood Frame Cover: Mohair – Hard Top		*	*	*	
01	Hood Frame Cover: Soft & Hard Top		071269			
07	Hood: PVC		071281	071282		071285
07	Hood: Duck		*	*	*	
07	Hood: Mohair		071293	*	*	
08	Hood Webbing					
09	Hood Velcro					
06	Tonneau: RHD		071203			
06	Tonneau: RHD – Duck		*	*	*	
06	Tonneau: RHD – Mohair			*	*	
06	Tonneau: LHD		071212	071216	071215	
06	Tonneau: LHD – Duck		*	*	*	
06	Tonneau: LHD – Mohair			*	*	
04	Tonneau: RHD & H/R		081203			
04	Tonneau: RHD & H/R – Duck		*	*	*	
04	Tonneau: RHD & H/R – Mohair			*	*	
04	Tonneau: LHD & H/R		081222			
04	Tonneau: LHD & H/R – Duck		*	*	*	
04	Tonneau: LHD & H/R – Mohair			*	*	

NOTE: Weather Equipment includes some fittings !



Trim Fittings

<p><i>Stud with Flange - 011402</i></p> 	<p><i>Stud No Flange -</i></p> 	<p><i>Blind Rivet (Pop) - 011410</i></p> 	<p><i>Seat Clip - 011412</i></p> 
<p><i>Button: Silver</i></p>  <p>011407</p>	<p><i>Socket</i></p> 	<p><i>Seat Clip : Tube Type -</i></p> 	<p><i>Trim Clip - 051402</i></p> 
<p><i>Carpet Clip: Pronged Ring</i></p>  <p>011403</p>	<p><i>Carpet Clip: Clinch Plate</i></p> 	<p><i>Lift The Dot :Socket - 011414</i></p> 	<p><i>Lift The Dot :Clinch Plate - 011414</i></p> 
<p><i>Button : Black</i></p>  <p>051403</p>	<p><i>Socket</i></p> 	<p><i>Stud - 011416</i></p> 	<p><i>Stud Machine Screw - 011422</i></p> 
<p><i>Tenax - Button</i></p>  <p>011405</p>	<p><i>Tenax - Plate</i></p> 	<p><i>Screw & Washer (20) - 011411</i></p> 	<p><i>Door Pocket Fixing Kit (4) 041407</i></p> 

This is not our full range of fittings.





Trim Fittings

Ref No	Description	Stock Code
	Carpet Fixing Kit: TR2 – TR3B	011401
	Carpet Clip: Male	011402
	Carpet Clip: Female	014403
	Hood Tonneau Stud: Male	014406
	Hood Tonneau Stud: Female	011407
	Retainer – Hood Webbing	011408
	River: Male	011410
	Screw and Washer Set: TR2 – TR3B	011411
	Seat Clip	011412
	Trim Panel Fixing Kit: TR2 – TR3B	011413
	Lift The Dot: Female - Socket	011414
	Lift The Dot: Female - Plate	011415
	Lift The Dot: Male – Wood Screw	011416
	Lift The Dot: Male – Machine Screw	011417
	Nut for LTD Machine Screw	
	Seat Clip: Tubular	011418
	Screw: Trim Fixing	011419
	Tenax Fastener: Female	011405
	Tenax Fastener: Male – Wood Screw	011422
	Tenax Fastener: Male – Machine Screw	011423
	Door Capping: End Button – TS22014+:TR3A	011420
	Carpet Fixing Kit: TR4 – TR6	041401
	Door Panel Cover, Clip, Screw: TR4 – TR6	041407
	Trim Panel Fixing Kit: TR4 – TR6	041406
	Trim Panel Clip: TR4 – TR6	051402
	Hood/Tonneau Stud: Female – Black: TR5 /TR6	051403
	Dashboard Screws: Silver: TR4A	051405
	Dashboard Screws: Black: TR6	051406

