



Please give our details to other classic car owners or classic car clubs. Thanks

Useful Information

- *Vinyl (Ambla) : Coloured plastic based material with a knitted cotton backing – will stretch easily. Grain : Various grains, mainly Stag & 1290 (Rough Grain- used on Late TR6 & MGB)*
- *Leathercloth (Vynide) : Coloured plastic based material with a woven cotton backing – does NOT stretch easily. (Thinner than vinyl). Various grains, mainly Stag & 1290 (Rough Grain- used on Late TR6 & MGB)*
- *Hardura : Coloured plastic based material with a thin felt backing with a pebble like grain.*
- *Union Cloth : A good quality wool & cotton mix headlining material.*
- *Moquette : A good quality thin wool & cotton low pile fabric, used on seat backs, wheel arch covers etc.*
- *Hooding – PVC (Everflex) : Coloured plastic based material with a woven cotton backing. It is waterproof and comes in various grains, mainly Stag grain. Used for hoods, sidescreens, tonneau and hood frame covers.*
- *Hooding –Duck : Coloured cloth based material. It is waterproof and used for hoods, sidescreens, tonneau and hood frame covers.*
- *Hooding – Mohair : This is a top quality coloured cloth based material with a built in lining in either beige or black. It is waterproof and used for hoods, sidescreens, tonneau and hood frame covers.*
- *Armacord : A thick plastic coated felt, the plastic being ribbed. Used on Austin-Healey's in various colours, BUT now only available in black. (Can be re-coloured)*
- *TPK = Trim Panel Kit (contents are as per our current list)*
- *TK = Complete interior Trim Kit (contents are as per our current list)*
- *WAC = Wheel Arch Covers.*
- *HFC = Hood Frame Cover or envelope (Covers hood frame and hood when folded down).*
- *Sidescreens or side curtains.*
- *Boot or Trunk.*
- *Hood or convertible top.*
- *Re-trim kit is generally materials to recover old panel / unit / seat frame etc.*

Buy British

Keeping your Classic in Trim since 1980



<i>Details</i>	<i>Page Number</i>
----------------	--------------------

<i>Index & Original Features</i>	<i>2</i>
<i>Sales Policy</i>	<i>3</i>
<i>Order Form</i>	<i>4</i>
<i>Terms & Conditions</i>	<i>5</i>
<i>Company Information</i>	<i>6</i>
<i>Colour & Trim References</i>	<i>7</i>

<i>TR4 : Soft Top Model</i>	<i>8 & 9</i>
<i>TR4 : Surrey Top Model</i>	<i>10 & 11</i>
<i>TR4A</i>	<i>12 & 13</i>
<i>TR5 ; Petrol Injection</i>	<i>14 & 15</i>
<i>TR250 : Carburetor</i>	<i>16 & 17</i>

<i>Weather Equipment : TR4-TR5</i>	<i>18 to 21</i>
------------------------------------	-----------------

<i>Trim Fittings : TR2-TR6</i>	<i>22 & 23</i>
--------------------------------	--------------------

TR Catalogue Index



Original Features

<i>Trim panels with "heat welded" pattern</i>
<i>Trim panels with "heat welded" pattern</i>
<i>Trim panels with "heat welded" pattern</i>
<i>Seats & Trim panels with "heat welded" pattern</i>
<i>Seats & Trim panels with "heat welded" pattern</i>

We manufacture trim for the following British Classic Cars & can supply Catalogues with samples. If you have no further use for our catalogue please pass it on to a fellow classic car owner or classic car club.

<i>Austin - Healey</i>	<i>Jaguar</i>	<i>Triumph</i>	<i>MG</i>
<i>BN1 & BN2</i>	<i>XK 120</i>	<i>TR2</i>	<i>MGA Roadster</i>
<i>BN4</i>	<i>XK 140</i>	<i>TR3</i>	<i>MGA Coupe</i>
<i>BN6 & BN7</i>	<i>XK 150</i>	<i>TR3A & TR3B</i>	
<i>BT7</i>	<i>"E" Type</i>	<i>TR4</i>	
<i>BJ7</i>	<i>MK 2</i>	<i>TR4A</i>	
<i>BJ8</i>	<i>Daimler V8 250</i>	<i>TR5 & TR250</i>	
	<i>"S" Type & 420</i>	<i>TR6</i>	
	<i>MK 10 & 420G</i>		
	<i>XJ Saloons</i>		
	<i>XJS</i>		





Sales Policy

Orders / Catalogue & sample requests -

For your convenience you can place orders or request catalogue/samples 24 hours a day using :

- Email....sales@john-skinner.co.uk
- Web site....www.john-skinner.co.uk
- Fax....+44 (0)1285 650013
- Alternatively you can write to us at our postal address.
- Telephone on +44 (0)1285 657410 Monday to Friday between 9.00am and 4.30pm.
- If required we are happy to send you a detailed order confirmation.
- It is the customers responsibility to ensure that the correct parts are ordered, we are happy to help identify incorrect trim items fitted to your car. (In many cases trim items will fit other variations of the same or similar model. e.g. trim panels, seats, hood frames, etc.)
- Unless your order clearly states you require non original parts, your order will be made to the specification set out in our catalogue. Please check as **JOHN SKINNER (MANUFACTURING) LTD** can not be held responsible for parts incorrectly ordered and supplied.

To help us process your order or catalogue/sample requests promptly please give as many details as possible, including your postal details, telephone, fax,email address, car details including exterior colour and trim colour(s). It is also very important to use our stock codes /descriptions when ordering and confirming colour combinations. (For guidance any samples sent to you will have a description & stock code [eg 99951***] printed on attached label)

There is a minimum order value of £5-00.

Payment -Payment must be made with your order unless you have an authorised credit account.

Recommended payment methods are :

- Credit Card : Visa & Mastercard are accepted. Please ensure your complete card details are given including card number, expiry date & cardholder name and postal address.
- Personal cheque : All personal checks will be cleared before shipment of any order.
- Bank cheque (draft), postal orders or international money orders.
- Direct transfer into our bank account, details as follows : **JOHN SKINNER (MANUFACTURING) LTD**
LLOYDS TSB 130,High St, Cheltenham, GL50 1EW Account No : 1863336 Bank Sort Code : 30-91-87

Shipping- All orders will be shipped promptly (except those paid by personal cheque awaiting clearance) via carrier or post.All overseas shipments will be shipped first class air mail or via shipping agent. Within the EU we have a good flexible, economic carrier that offers a 3 to 4 day service . If you require a specific shipping arrangement please make sure that we are told at the time of order.Customer pays all shipping, insurance , duty and customs costs that may be applicable. For our customers outside Great Britain be sure to check both the regulations governing import duties and restrictions on weight, size and/or merchandise.

Claims- Check all shipments BEFORE you sign for them, should any order arrive damaged, check the contents with the carrier & sign the delivery note giving details of any damaged/missing parts .All claims must be made to the carrier and copied to us. Claims for loss, shortages,errors or damages MUST be made within 3 DAYS of RECEIPT of your order.

Returns-All sales are considered final.Permission must be obtained from **JOHN SKINNER (MANUFACTURING) LTD**, before returning any merchandise. Request for return of merchandise must be made within 10 days of the receipt of order. All returns must include a copy invoice and a returns reference number (Bk **/**) and are subject to :

- A 20% re-stocking charge.
- Any unauthorized returns will not be accepted.
- No returns on special order items unless defective or incorrectly manufactured items have been supplied.
- No claim on any item that has been damaged, cut , glued. All items must be in a re-saleable condition.
- It is important to note that before fitting of any trim part, a visual check of the new part for quality and comparison with the part it will replace is essential, if in doubt contact us for help.

Special Order Items- Please allow 3 to 6 weeks for delivery as these items are generally made for your individual car. There will be no returns of special order items unless defective or incorrectly manufactured items were supplied. A non-refundable deposit of 50% will be required once work has started on a special order item.

Back-Orders- Will be shipped as soon as possible,if no back-order required please inform us at the time of order.

Warranty- All parts are subject to the manufacturers warranty of 6 months, which covers workmanship and materials but does not cover labour or failure of their product as a result of misuse, incorrect installation or failure of related parts, nor would the liability of **JOHN SKINNER (MANUFACTURING) LTD**, exceed the cost of the original part.

Prices- All prices are subject to change without prior notification. Where a price increase has occurred, price charged will be that at the date of shipment. Prices exclude VAT (Tax), shipping/handling costs.

VAT will be charged at the rate ruling at the date of invoice, anyone claiming VAT free prices or VAT refunds must comply with the relevant VAT & EU rules and regulations.





TERMS & CONDITIONS

1. All our quotations and all orders accepted by us are subject to these terms of business. In these terms all orders are termed contracts. No contracts are entered into us except upon these terms. We shall not be bound by any terms which are inconsistent with these terms; any Purchaser's order or acceptance which purports to include any inconsistent terms shall be construed as if that term was not included therein and shall be deemed for all purposes to be an order or acceptance incorporating these terms of business. In these terms the expression 'quotations' shall include tenders and the expression 'goods' shall include all equipment and materials supplied by us.
2. No variation of these terms of business or addition thereto shall be effective unless in writing duly signed on our behalf.
3. These terms and all contracts relating to them shall in all respects be construed and governed by English Law and the parties hereby submit to jurisdiction of the English Courts.
4. Quotations are limited to the goods specified therein and are subject to availability of the goods at the time when the order is placed. Unless otherwise specified, a quotation at a fixed price will be subject to withdrawal if any order is not placed within 30 days from the date appearing on the quotation.
5. We reserve the right to take up financial references. Acceptance of any order shall be conditional upon such references being found by us to be satisfactory.
6. Prices are based on the cost of materials, components, accessories, labour, transport, statutory obligations and establishment charges and may be subject to variation if any change in such cost or in currency exchange rates affecting such cost takes place before or during the performance of the contract.
7. Carriage prices are inclusive of all carriage charges but any special despatch arrangements to or from ourselves made at the customer's request will be chargeable.
8. Payment of invoices of approved credit customers shall be due 30 days from date of invoice unless terms are stated on the invoice. If payment is delayed the company reserves the right to charge interest at the rate of 2 ½% per month or part of. The company reserves the right to employ Solicitors and/or Debt Collectors in order to recover the debt. The customer will be liable for all charges incurred by the company in recovering the debt.
9. From the date of despatch from our works or delivery by our own transport (as the case may be) until payment of the whole sum payable under the contract has been received by us, all goods shall be at the sole risk of the Purchaser who shall keep them insured against all risks and shall indemnify us against any depreciation or damage to the goods in the event of such payment not being made.
10. Whenever delivery is made before payment of the whole sum payable under the contract, goods delivered shall, to the extent permitted by the law of the country where the goods are situated after delivery, remain our property until we receive such payment. If such law does not permit us to retain the property in the goods we shall be entitled to the benefit of such rights in respect thereof as such law permits us to retain. The Purchaser shall give us every assistance, and shall procure that any ultimate user of the goods shall give every assistance in taking measures required to protect our right of property or other such rights as aforesaid.
11. All drawings, photographs, illustrations, advertisements, particulars and descriptive matter supplied by us are intended to present a general idea of the goods described therein but are not binding and are subject to change or variation from time to time.
12. Dimensions, weights, colour and performances are not guaranteed but will be within reasonable tolerances.
13. Colour Variation:
 - a) On material such as leather, vinyl, leathercloth, carpet, moquette and hardura colour variations can occur between production runs of each material.
 - b) There is often not a perfect colour match between different materials; often it is more an acceptable contrast.
 - c) Shading: All pile carpets are liable to shading and the customer is advised to take this into account when choosing the carpet. Therefore, the company will not entertain any claims with respect to shading.
 - d) Matching: Carpets cut from more than one roll may vary slightly in colour or pattern. The company reserves the right to supply the customer with the best match obtainable.
14. Despatch and completion times are approximate only and we accept no liability whatever in respect of any delay however caused. Such times shall date from the acceptance by us of a written order and shall be subject to our receiving as and when required all instructions, approved drawings, licences, letters of credit, guarantees, deposits, components to be provided by the Purchaser or his supplier and generally all such information and other assistance as may be necessary to enable the works to be carried out. Within seven days after the date of notification that any goods are ready for despatch, the Purchaser shall take delivery or arrange storage at the risk and cost of the Purchaser and the goods shall thereupon be deemed to have been delivered.
15. We shall be relieved of any obligations incurred under a contract and the Purchaser shall be responsible for any extra costs involved whenever and to the extent that the fulfilment of such obligations is prevented, frustrated or impeded as a consequence of war, civil war, strikes, lockouts, trade disputes, fire, earthquake, statutes or regulations issued by any duly constituted authority or other contingencies beyond our control.
16. If goods in transit within the United Kingdom are damaged or partially lost the Purchaser shall give notice of damage or loss in writing to us within 3 days of receipt of goods and to the carrier at once. If such goods are wholly lost the Purchaser shall give notice of damage or loss in writing to us and to the carrier (if any) within twenty-eight days after the transit began.
17. Cancellations: Cancellations cannot be accepted once goods have been cut or despatched. If the Purchaser proposes any alterations after the contract has been accepted, or is in breach of any term of contract, we shall have the right, *inter alia*, to charge the Purchaser (in addition to the contract price), the whole of the expenses arising from such proposal or breach, including in particular all extra drawings, surveys, materials, components, accessories, waiting time, together with establishment charges and profit allowances at the rate included in our original price.
18. The Purchaser shall be responsible for providing the necessary facilities and means of unloading goods delivered.
19. Any order placed by a Purchaser shall constitute a representation that the Purchaser has complied with every applicable statute, order, regulation, direction or bye-law and all other lawful requirements of any government or duly constituted authority and that, in particular, the Purchaser has lawfully obtained every necessary licence, permit or consent which may be required in connection with the performance of the contract.
20. Credit is not normally allowed on returned goods, such specific being assessed on its merits. No goods may be returned without our authority that we will accept the returns. Application for return must be made in writing 10 days from date of despatch. Credit if any, would be notified after we have inspected the goods at our works. Unless otherwise agreed by us in writing all such returns must be arranged and transported at the customer's expense. Credit will not be allowed on any goods which have been damaged or cut by the customer or their agents. All goods returned for credit must be in a saleable condition and will be subject to a 20% handling charge.





Company Information

Thank you for your enquiry, listed below is information which I hope you will find useful and relevant when making the important decision about replacing your classic car interior. Should you require any further information or help, please do not hesitate to contact us.

- Established in 1980 to produce quality interior trim for British classic cars to original specification .
- Operated from a large modern factory in the small Cotswold town of Cirencester, situated about 80 miles (130 kilometres) west of London.
- Over the years our reputation is linked with **QUALITY & ORIGINALITY** but also flexible enough to produce that very special one off interior .
- All but a very few items are produced in our own factory by a team of dedicated trimmers and machinists.
- As a specialist trim manufacturer we can offer :
 1. Seat kits which are tailor-made, with all the necessary sewing complete and so are ready to fit. Shape , style and pleats are as original (together with heat embossed patterns on some TR & Austin-Healey models)
 2. Carpet kits professionally made in a wide range of colours and qualities, with heel pads , handbrake covers sewn in and with all originally bound edges complete.
 3. All our trim panel boards are cut on purpose made tooling so ensuring a consistent accurate shape and fit. All mounting holes, slots etc are pre-cut to ensure accurate and trouble free fitting.
 4. We have our own High Frequency Plastic Welding machines, these specialist machines when used with the correct tools heat emboss patterns into trim panels, e.g. the pattern found on many door panels, seat covers etc.
 5. We use only top quality materials, leather, vinyl, leathercloth, carpet, moquette, hardura & headlining .
- We take pride and care in ensuring the best possible colour match between different materials used in our trim products, but it is advisable to order all the parts you require at the same time to avoid any possible colour match problems.
- We are also flexible enough to offer a customer a more individual interior should that be required. Maybe a special colour or special coloured piping, all of this is no problem. It should be also noted that providing we can get the required vinyl it is possible to high frequency weld into any trim items original welded patterns as originally featured on that car.
- It should also be noted that because of the specialist nature of trim manufacture, it is likely that we will manufacture your order specially for your car, this can take 3 to 4 weeks depending upon our work load.
- We ship worldwide by land, sea & air.
- We accept payment by cash, cheque, bank draft , VISA & MASTERCARD
- **JOHN SKINNER (MANUFACTURING) LTD** is a recognised supplier for the British TR & Austin-Healey Clubs, is a long standing member of The Jaguar Specialists Association (This Association is recognised by Jaguar Cars Ltd)

Keeping your Classic in Trim since 1980





Trim & Colour Reference Numbers

Colour	Leather	Vinyl	L/cloth	Carpet			For	Hoods	
		(Ambla)	(Vynide)	Wool	Classic	Standard	PVC	Duck	Mohair
Black	99951001	99948001	99949001	99950001	99950020	9995021	99954001	99954007	99954009
Black: Print	99951002	99948002	99949002	99950001	99950020	9995021	*	*	*
Red	99951003	99948003	99949003	99950002	99950022	9995017	99954004	*	*
Grey	99951004	99948004	99949004	99950004	*	9995019	99954016	*	*
Stone	99951020	99948005	99949005	99950009	*	9995019	99954002	*	99954020
Doeskin	99951020	99948005	99949005	99950009	*	*	99954002	*	99954020
Shadow :SG	99951006	99948006	99949006	99950005	*	*	*	*	*
Blue :RG	99951006	99948007	99949007	99950005	*	9995014	*	*	*
Light Tan	99951013	99948008	99949008	99950006	*	9995014	99954006	*	99954020
Biscuit	99951013	99948008	99949008	99950006 99950003	*	9995016	99954006	*	99954020
New : SG	99951007	99948009	99949009	99950007	99950024	9995015	*	*	*
Tan : RG	99951007	99948010	99949010	99950007	99950024	9995015	*	*	*
Chestnut	99951008	99948011	99949011	99950008	99950024	9995025	99954	*	*
Beige:RG	99951026	99948012	99949012	99950009	*	9995019	99954002	*	99954020
Parchment	99951017	99948013	99949045	99950009	*	9995020	99954005	*	*
Parchment-Jag	999510	99948052	*	99950009	*	*	*	*	*
Old Beige	99951005	99948015	99949015	99950009	*	*	99954002	*	99954020
Old Grey	99951023	99948016	99949016	99950004	*	9995020	99954016	*	*
Cinnamon	99951009	99948017	99949017	99950006 99950007	99950024	9995019	*	*	*
Dark Tan	99951025	*	99949018	99950007	99950024	*	*	*	*
Russet Red	99951011	99948019	99949019	99950013	99950023	*	99954014	*	*
Suede Green	99951010	99948020	99949020	99950014	*	*	99954	*	*
Maroon	99951012	99948021	99949021	99950015	*	9995018	99954018	*	*
Saville Grey	99951014	99948022	99949022	99950016	*	*	99954016	*	*
Dark Blue	99951022	99948023	99949023	99950017	99950023	9995022	99954021	*	99954013
Magnolia: Jag	99951015	99948024	99949024	99950009	*	*	*	*	*
Magnolia:RR	99951027	99948029	*	99950009	*	*	*	*	*
Dark Green	99951018	99948025	99949041	99950018	*	9995023	99954017	*	99954033
Midnight Blue	99951019	99948026	99949026	99950017 99950005	99950023	9995024	99954021	*	99954013
Bright Red	99951021	99948027	99949043	99950013	99950022	*	99954014	*	*
Dark Beige	99951028	99948028	99949028	99950006	*	*	*	*	*
White	99951	99948046	99949044	*	*	*	99954003	*	*

NOTE :

There are other colours available, samples are available for the following trim materials : Leather, Vinyl, Leathercloth, Moquette, Hardura : Headlining : Carpet - 3 qualities (some colours only)
Please note that very often we manufacture the trim specially for your classic car

Important

JOHN SKINNER (MANUFACTURING) LTD cannot Guarantee 100% colour matches to samples supplied or 100% colour match on extra materials or trim ordered after the original order is made. It is strongly recommended that all trim & extra materials are ordered at the same time. For best results send a colour sample for matching & we will supply the best colour match available. When you buy direct from us you are not just buying a part number with no service backup ! you are buying quality trim with help & advice if required.

Important

JOHN SKINNER (MANUFACTURING) LTD cannot Guarantee 100% colour matches to samples supplied or 100% colour match on extra materials or trim ordered after the original order is made. It is strongly recommended that all trim & extra materials are ordered at the same time. For best results send a colour sample for matching & we will supply the best colour match available. When you buy direct from us you are not just buying a part number with no service backup you are buying quality trim with help & advice if required.

Vinyl/Ambla : This material is a grained coloured plastic with a knitted cotton backing that stretches quite easily.

Leathercloth/Vynide : This material is a grained coloured plastic with a woven cotton backing that does not stretch very much.

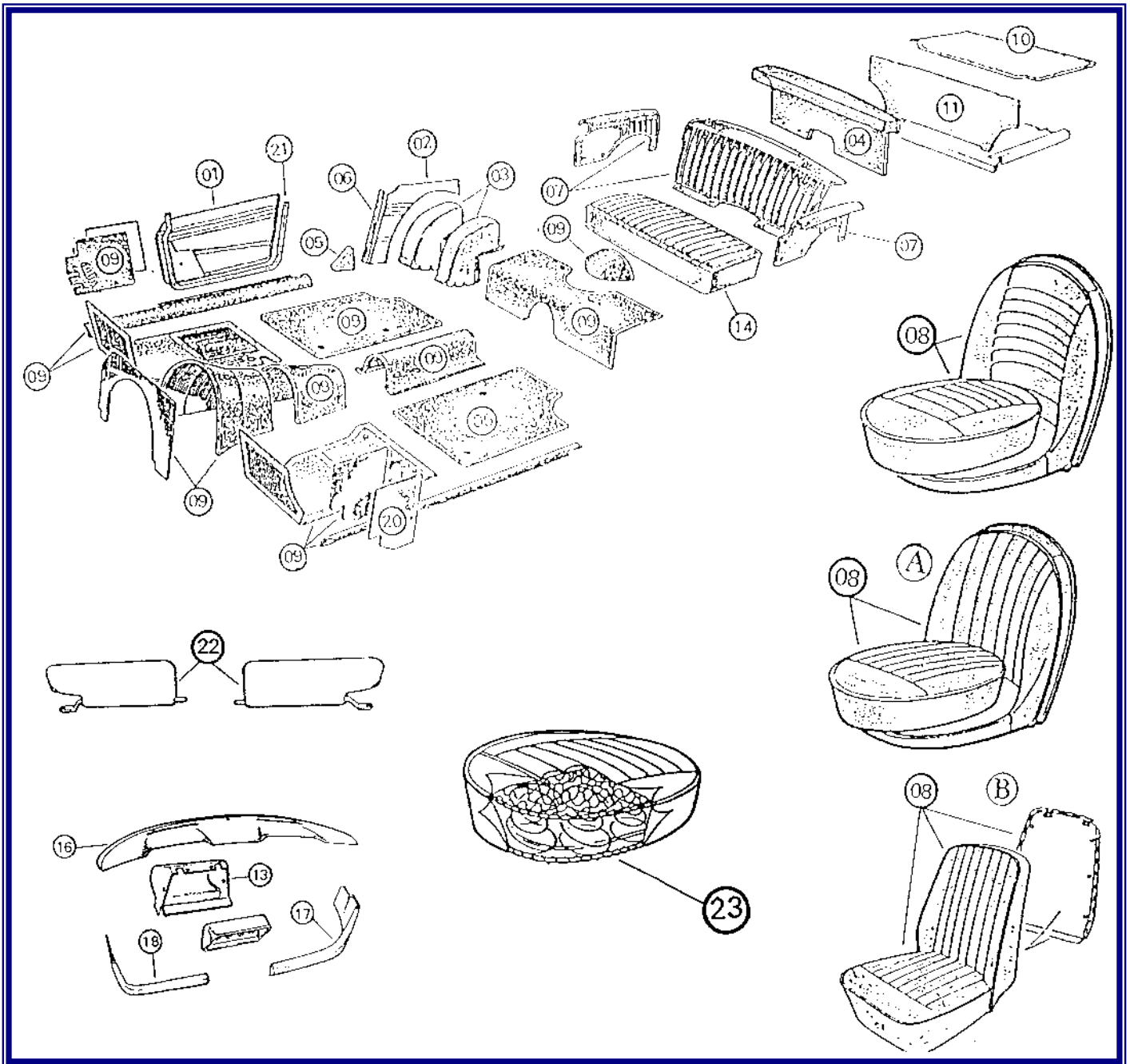
Hoarding : PVC is a coloured plastic, Duck is a cloth, Mohair is a cloth hoarding with a beige or black lining.

Keeping your Classic in Trim since 1980



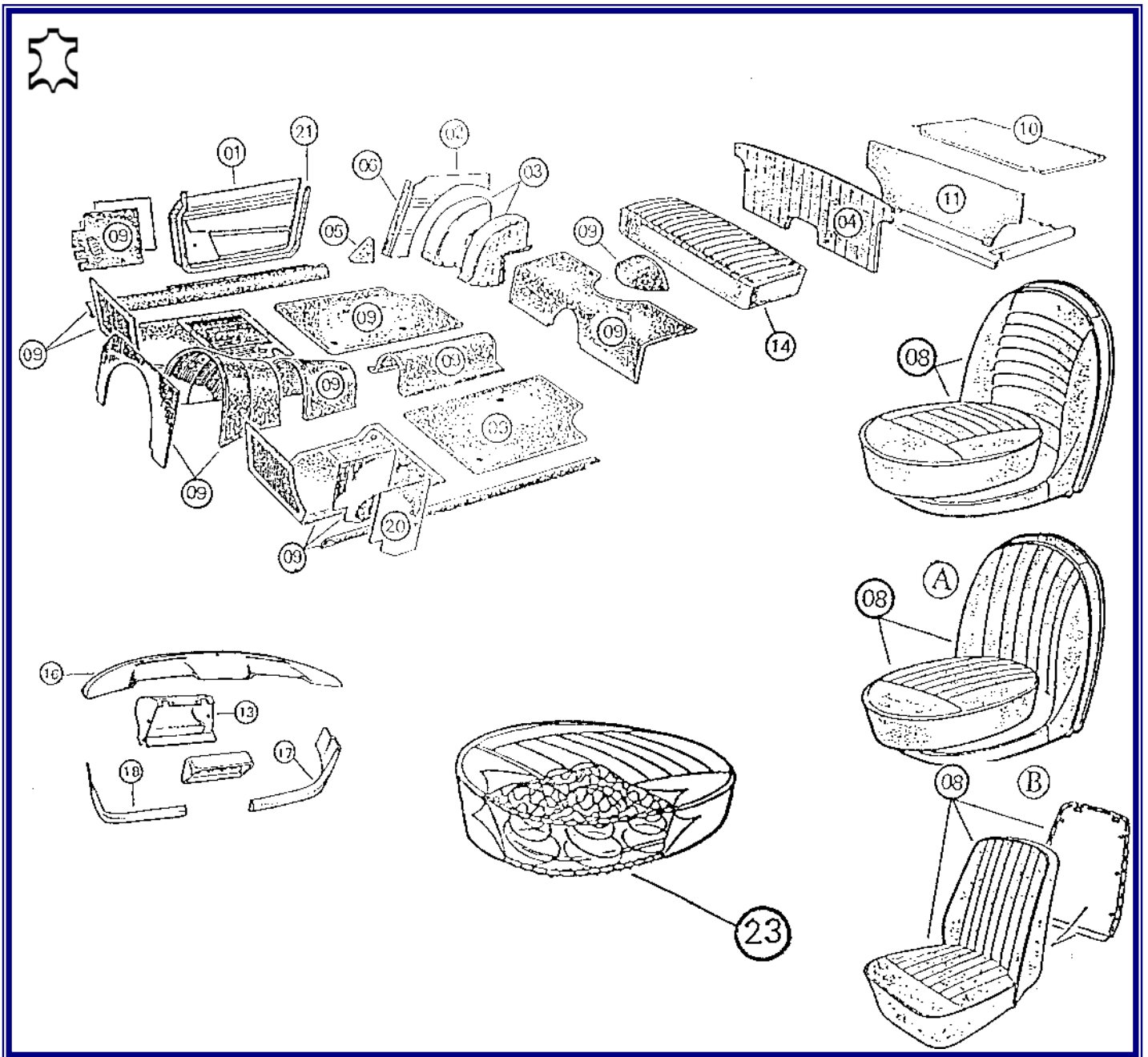


TR4 (Soft Top Model)



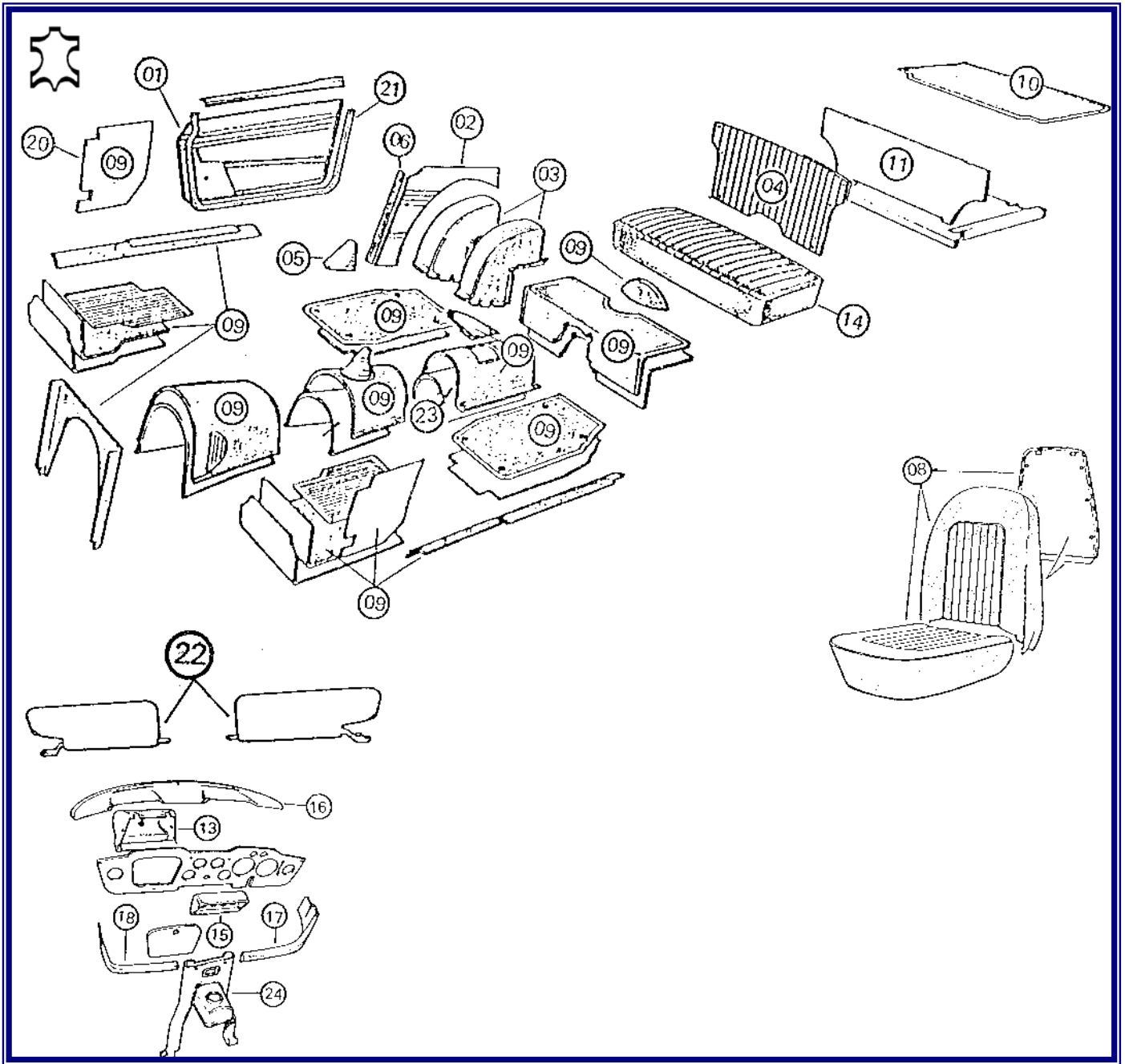


TR4 (Surrey Top Model)



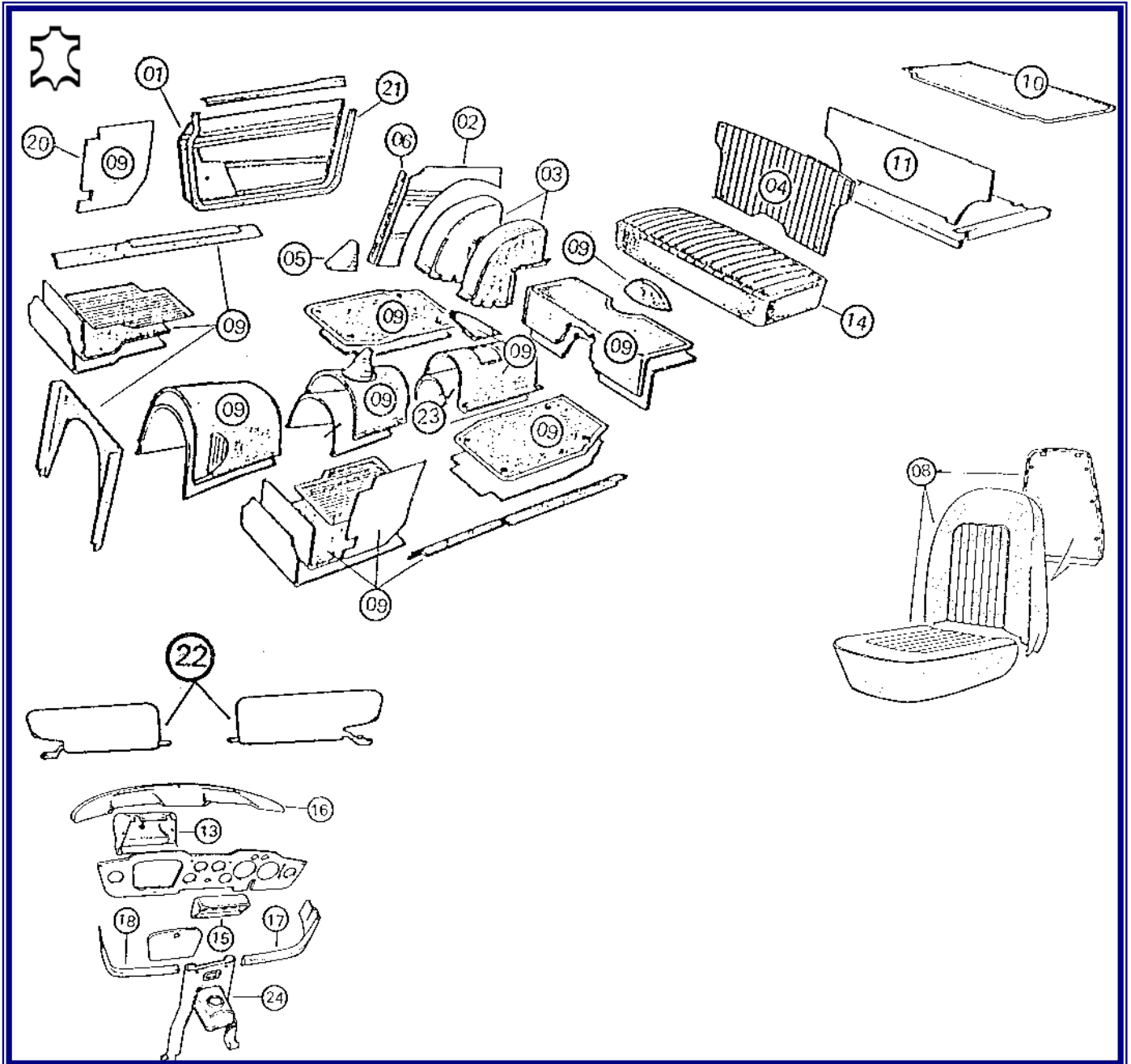


TR4A (Surrey & Soft Top Models)





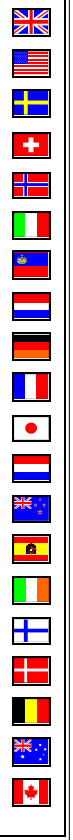
TR5 (Petrol Injection)





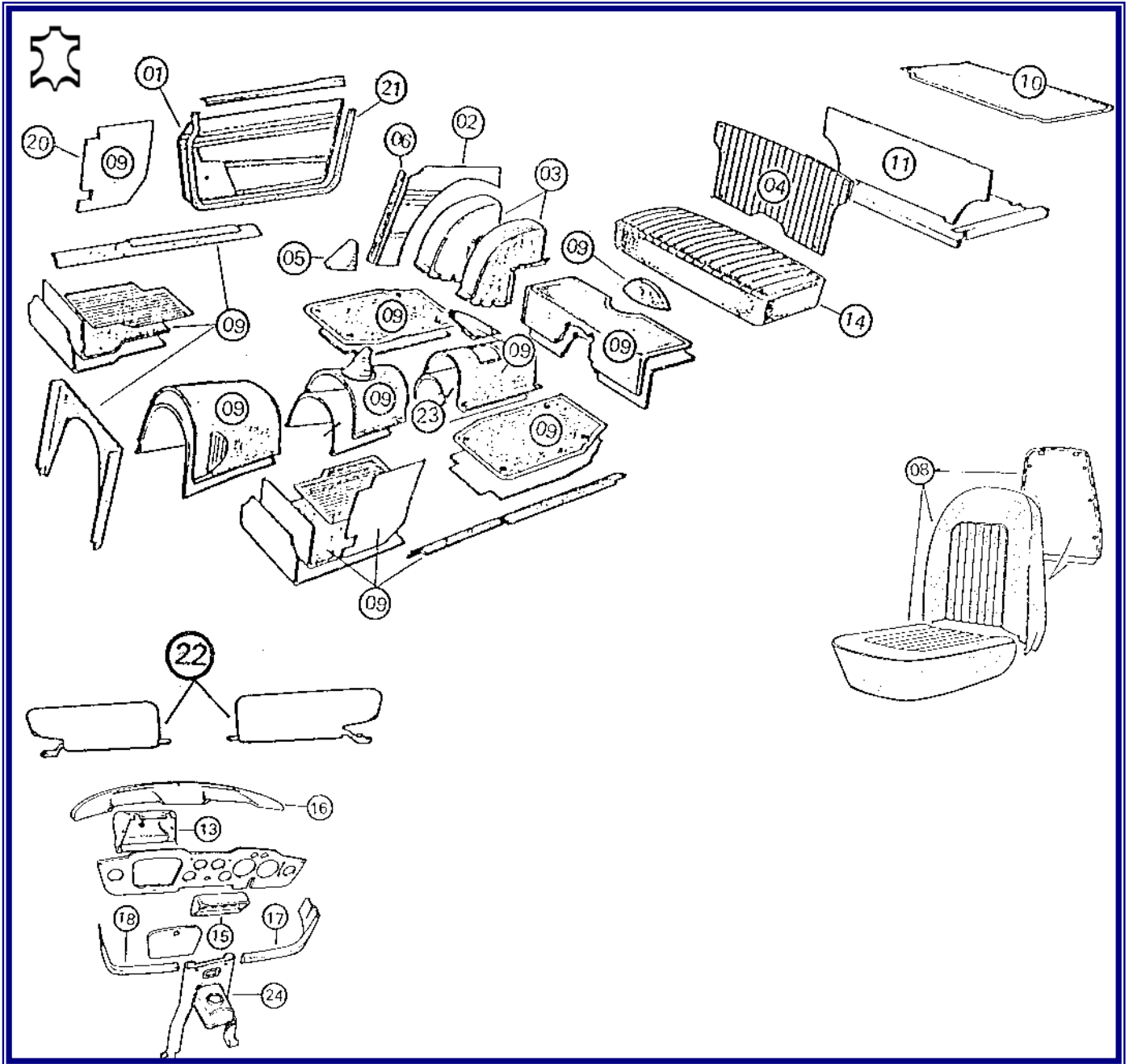
TR5 (Petrol Injection)

Ref No	Description	Trim Colour	Black	Red	Shadow Blue	Light Tan	Midnight Blue	Special * State colour
		Piping Colour	White	White	White	White	White	
01	Door panels*		060350	060351	060352	060353	060354	060359
02	Quarter panels* [* Welded as original]		050401	050402	050403	050404	050405	050409
03	Wheel-arch covers & Foam		040440	040441	040442	040443	040444	040449
04	Bulkhead panel *		050410	050411	050412	050413	050414	050419
05	"B" Post finishers		060430	060431	060432	060433	060434	060439
06	"B" Post vinyl strips		040460	040461	040462	040463	040464	040465
01-	Trim Panel Kit: Vinyl *		060150	060151	060152	060153		060159
06	Trim Panel Kit: All Leather		060210	060211	060212	060213		060219
08	Seat Kit: front-Vinyl [with diamond pattern]		060560	060561	060562	060563		060569
08	Seat Kit: front-Leather faced		060660	060661	060662	060663		060669
08	Seat Kit: front-All Leather		060760	060761	060762	060763		060769
14	Seat Kit: rear cushion unit-Vinyl		040870	040871	040872	040873	040874	040879
14	Seat Kit: rear cushion unit-Leather faced		040940	040941	040942	040943	040944	040949
14	Seat Kit: rear cushion unit-All Leather		041040	041041	041042	041043	041044	041049
09	Carpet set: Wool-RHD		051101	051102	051103	051104	051105	051109
09	Carpet set: Wool-LHD		051140	051141	051142	051143	051144	051149
09	Carpet set: Classic-RHD		051122	051123			051124	
09	Carpet set: Classic-LHD		051160	051161			051162	
09	Carpet set: Standard-RHD		051130	051131	051132	051133	051135	051139
09	Carpet set: Standard-LHD		051170	051171	051177	051173	051175	051179
	Underfelt kit		051510					
10	Boot carpet: PI-Wool							
10	Boot carpet: PI-Standard		061303					061304
11	Boot liner board: PI		061309					
	Seat foam kit		061520					
13	Glovebox:		061501					
16	Dashtop crashpad		061512					
17	Lower crashpad: RH - no steering lock		061515					
18	Lower crashpad: LH - no steering lock		061516					
19	Lower crashpad: RH - with steering lock		071503					
20	Lower crashpad: LH - with steering lock		071504					
21	Door Top Pull: RH		061513					
22	Door Top Pull: LH		061514					
23	Switch plinth		061517					
24	Bulkhead "A" post board		041501					
25	Draught excluder - soft top car		041502					
25	Draught excluder - surrey top car		041503					
26	Sunvisors: RHD		061506					
26	Sunvisors: LHD		061507					
	Sunvisor: No Mirror		061508					
	Sunvisor: Mirror-RHD		061509					
	Sunvisor: Mirror-LHD		061510					
26	Sunvisors - All Leather : RHD		061504					
26	Sunvisors - All Leather : LHD		061505					
	Windscreen frame re-trim kit		041514					
27	Trans board for under handbrake carpet		051511					
28	Centre console re-trim kit-Vinyl		050430					
28	Centre console re-trim kit-Leather		050431					
	Gear lever gaitor - Vinyl		040474					
	Gear lever gaitor - Leather		040476					
	Kit :dashtop, L+R pads, Switch Plinth-Vinyl		060423					
	Kit : dashtop, L+R pads, Switch Plinth-Leather		060424					
	Headliner & Rear Window Kit: Surrey Top-Black		041507					
	Headliner & Rear Window Kit: Surrey Top-White		041506					
	Weather Equipment - See Page No : 39 - 42							
	Fitting Kits & Fittings - See Page No: 47 - 48							





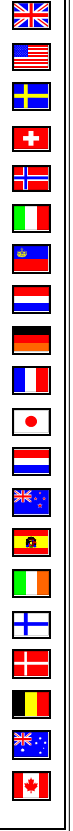
TR250 (Carburettor)





TR250 (Carburettor)

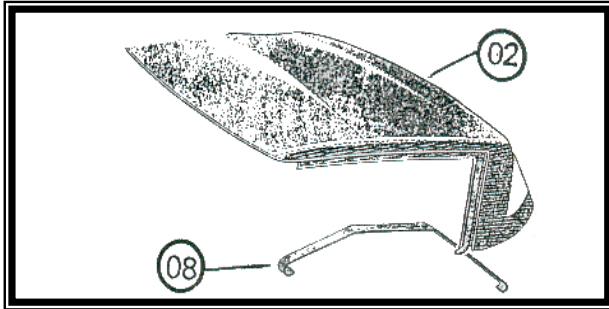
Ref No	Description	Trim Colour	Black	Red	Shadow Blue	Light Tan	Midnight Blue	Special * State colour
		Piping Colour	White	White	White	White	White	
01	Door panels*		060350	060351	060352	060353	060354	060359
02	Quarter panels* [* Welded as original]		050401	050402	050403	050404	050405	050409
03	Wheel-arch covers & Foam		040440	040441	040442	040443	040444	040449
04	Bulkhead panel *		050410	050411	050412	050413	050414	050419
05	"B" Post finishers		060430	060431	060432	060433	060434	060439
06	"B" Post vinyl strips		040460	040461	040462	040463	040464	040465
01-	Trim Panel Kit: Vinyl *		060150	060151	060152	060153		060159
06	Trim Panel Kit: All Leather		060210	060211	060212	060213		060219
08	Seat Kit: front-Vinyl [with diamond pattern]		060560	060561	060562	060563		060569
08	Seat Kit: front-Leather faced		060660	060661	060662	060663		060669
08	Seat Kit: front-All Leather		060760	060761	060762	060763		060769
14	Seat Kit: rear cushion unit-Vinyl		040870	040871	040872	040873	040874	040879
14	Seat Kit: rear cushion unit-Leather faced		040940	040941	040942	040943	040944	040949
14	Seat Kit: rear cushion unit-All Leather		041040	041041	041042	041043	041044	041049
09	Carpet set: Wool-RHD		051101	051102	051103	051104	051105	051109
09	Carpet set: Wool-LHD		051140	051141	051142	051143	051144	051149
09	Carpet set: Classic-RHD		051122	051123			051124	
09	Carpet set: Classic-LHD		051160	051161			051162	
09	Carpet set: Standard-RHD		051130	051131	051132	051133	051135	051139
09	Carpet set: Standard-LHD		051170	051171	051172	051173	051175	051179
	Underfelt kit		051510					
10	Boot carpet: Carb-Wool							
10	Boot carpet: Carb-Standard		061307					061308
11	Boot liner board: Carb		041504					
	Seat foam kit		061520					
13	Glovebox:		061501					
16	Dashtop crashpad		061512					
17	Lower crashpad: RH - no steering lock		061515					
18	Lower crashpad: LH - no steering lock		061516					
19	Lower crashpad: RH - with steering lock		071503					
20	Lower crashpad: LH - with steering lock		071504					
21	Door Top Pull: RH		061513					
22	Door Top Pull: LH		061514					
23	Switch plinth		061517					
24	Bulkhead "A" post panel		041501					
25	Draught excluder - soft top car		041502					
25	Draught excluder - surrey top car		041503					
26	Sunvisors: RHD		061506					
26	Sunvisors: LHD		061507					
	Sunvisor: No Mirror		061508					
	Sunvisor: Mirror-RHD		061509					
	Sunvisor: Mirror-LHD		061510					
26	Sunvisors - All Leather : RHD		061504					
26	Sunvisors - All Leather : LHD		061505					
	Windscreen frame re-trim kit		041514					
27	Trans board for under handbrake carpet		051511					
28	Centre console re-trim kit-Vinyl		050430					
28	Centre console re-trim kit-Leather		050431					
	Gear lever gaitor - Vinyl		040474					
	Gear lever gaitor - Leather		040476					
	Kit : dashtop, L+R pads, Switch Plinth-Vinyl		060423					
	Kit : dashtop, L+R pads, Switch Plinth-Leather		060424					
	Headliner & Rear Window Kit: Surrey Top-Black		041507					
	Headliner & Rear Window Kit: Surrey Top-White		041506					
	Weather Equipment - See Page No : 39 - 42							
	Fitting Kits & Fittings - See Page No: 47 - 48							



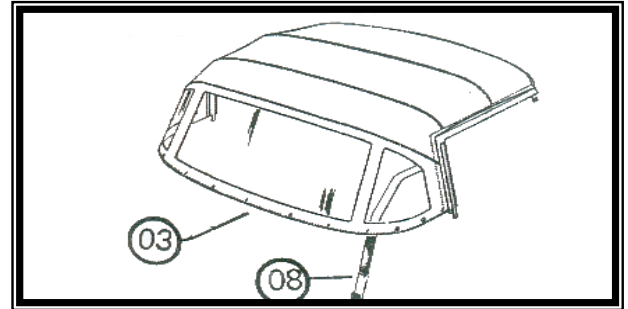


Weather Equipment : TR4 to TR5

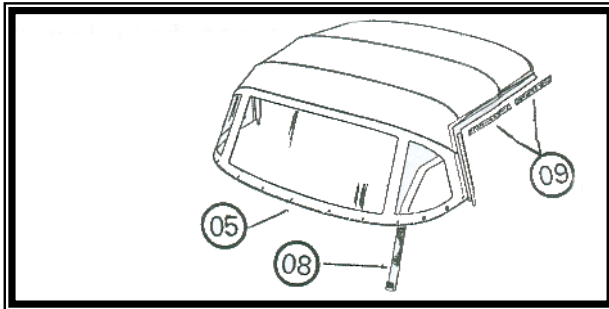
Hood & Fittings TR4



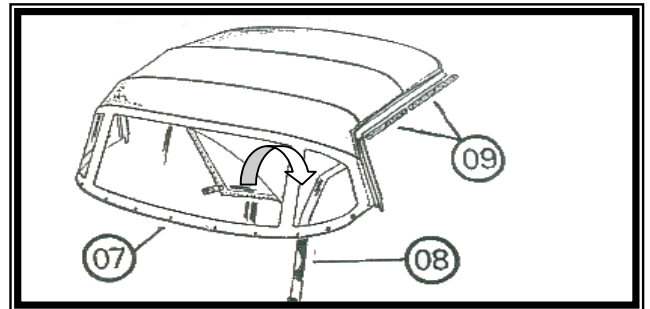
Hood & Fittings TR4A



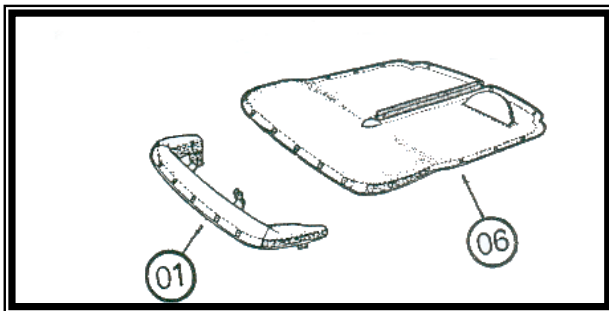
Hood & Fittings TR5 & TR250



Hood (zip out window) & Fittings TR6



*Tonneau Cover & Fittings TR4 to TR6 &
Hood Frame Cover & Fittings TR4A to TR6*





Weather Equipment : TR4 to TR5

Ref No	Description	Trim Colour	Black	Red	White	Lt Tan	Blue	Biscuit
		Piping Colour	White	White	White	White	White	White
01	Hood Frame Cover: TR4		041202	041203	041209	041205	041208	
01	Hood Frame Cover: Duck TR4		041210	*	*	*	*	*
01	Hood Frame Cover: Mohair TR4		041211	*	*	*	0412112	*
01	Hood Frame Cover: Soft Top		041212					
	All Leather							
01	Hood Frame Cover: TR5		051240	051241	051245	051243	051244	051243
01	Hood Frame Cover: Duck TR5		051246	*	*	*	*	*
01	Hood Frame Cover: Mohair TR5		051250	*	*	*	051251	*
02	Hood: PVC TR4		041240	041241	041242		041243	041244
02	Hood: Duck TR4		041250	*	*	*	*	*
02	Hood: Mohair TR4		041255	*	*	*	041246	*
03	Hood: PVC TR4A		051210	051211	051212		051213	051214
03	Hood: Duck TR4A		051220	*	*	*	*	*
03	Hood: Mohair TR4A		051225	*	*	*	051226	*
05	Hood: PVC TR5		061201	061202	061203		061204	061205
05	Hood: Duck TR5		061211	*	*	*	*	*
05	Hood: Mohair TR5		061216	*	*	*	061217	*
06	Tonneau: RHD		041215	041216	041218		041219	
06	Tonneau: RHD - Duck		041225	*	*	*	*	*
	Tonneau: RHD - Mohair		041229	*	041232	*	041233	*
06	Tonneau: LHD		041220	041221	041223		041227	
06	Tonneau: LHD - Duck		041226	*	*	*	*	*
06	Tonneau: LHD - Mohair		041230	*	*	*	041233	*
	Surrey - Top Canopy		041265	041268	041266		041269	041270
	Surrey - Top Canopy: Duck		041272	*	*	*	*	*
	Surrey - Top Canopy: Mohair		041276	*	*	*	041277	*

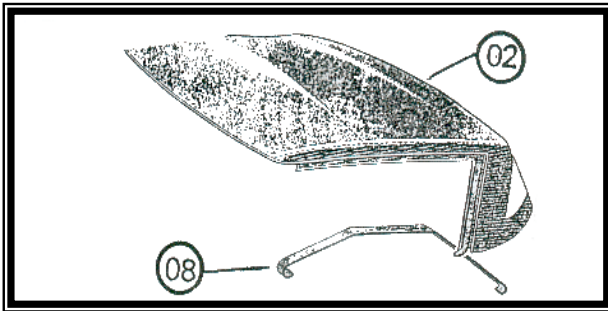
NOTE: Weather Equipment includes some fittings !



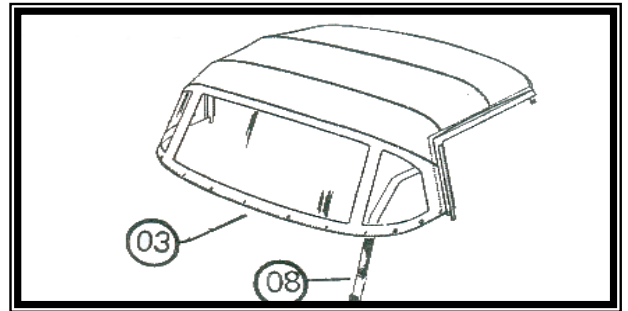


Weather Equipment : TR4 to TR5

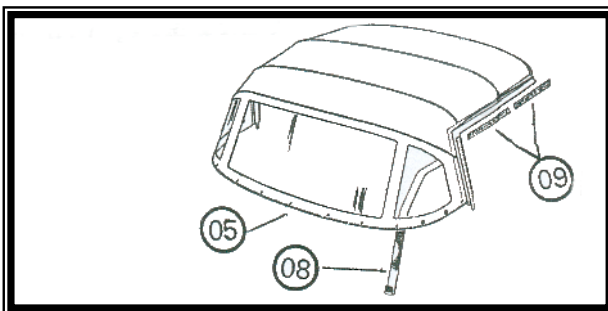
Hood & Fittings TR4



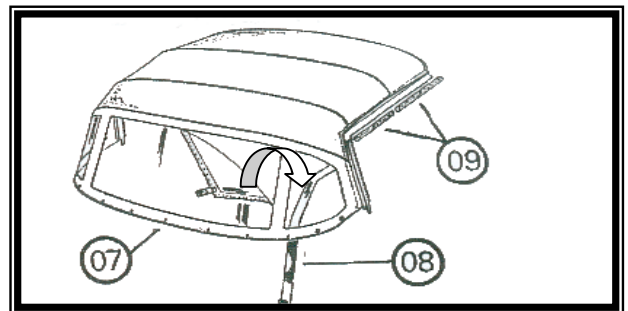
Hood & Fittings TR4A



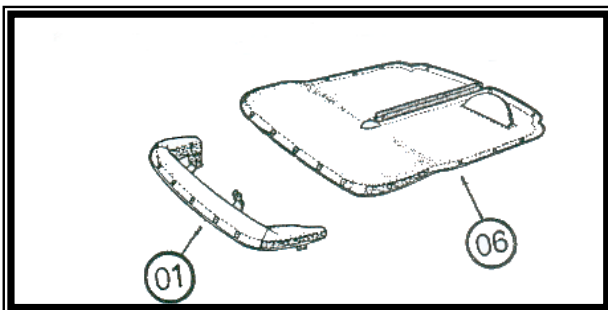
Hood & Fittings TR5 & TR250



Hood (zip out window) & Fittings TR6



*Tonneau Cover & Fittings TR4 to TR6 &
Hood Frame Cover & Fittings TR4A to TR6*





Weather Equipment : TR4 to TR5





Ref No	Description	Trim Colour	Beige	Shadow Blue	Off White		Special *State Colour*
			White	White	White		
01	Hood Frame Cover: TR4		*	041204			041214
01	Hood Frame Cover: Duck TR4		*	*	*		
01	Hood Frame Cover: Mohair TR4		041213	*	*		
01	Hood Frame Cover: Soft Top-All Leather		041212				
01	Hood Frame Cover: TR5						051248
01	Hood Frame Cover: Duck TR5		*	*	*		
01	Hood Frame Cover: Mohair TR5		051249	*	*		
02	Hood: PVC TR4		041245				041249
02	Hood: Duck TR4		*	*	*		041254
02	Hood: Mohair TR4		041247	*	*		041259
03	Hood: PVC TR4A		051215				051219
03	Hood: Duck TR4A		*	*	*		051224
03	Hood: Mohair TR4A		051227	*	*		051230
05	Hood: PVC TR5		061206	051242			061210
05	Hood: Duck TR5		*	*	*		061215
05	Hood: Mohair TR5		061218	*	*		061221
06	Tonneau: RHD		041217				041234
06	Tonneau: RHD - Duck		*	*	*		
06	Tonneau: RHD - Mohair		041235	*	*		
06	Tonneau: LHD		041222		041224		041231
06	Tonneau: LHD - Duck		*	*	*		
06	Tonneau: LHD - Mohair		041236	*	*		
	Surrey - Top Canopy		041271		041275		
	Surrey - Top Canopy: Duck		*	*	*		
	Surrey - Top Canopy: Mohair			*	*		

NOTE: Weather Equipment includes some fittings !





Trim Fittings

<p><i>Stud with Flange - 011402</i></p> 	<p><i>Stud No Flange -</i></p> 	<p><i>Blind Rivet (Pop) - 011410</i></p> 	<p><i>Seat Clip - 011412</i></p> 
<p><i>Button: Silver</i></p>  <p>011407</p>	<p><i>Socket</i></p> 	<p><i>Seat Clip : Tube Type -</i></p> 	<p><i>Trim Clip - 051402</i></p> 
<p><i>Carpet Clip: Pronged Ring</i></p>  <p>011403</p>	<p><i>Carpet Clip: Clinch Plate</i></p> 	<p><i>Lift The Dot :Socket - 011414</i></p> 	<p><i>Lift The Dot :Clinch Plate - 011414</i></p> 
<p><i>Button : Black</i></p>  <p>051403</p>	<p><i>Socket</i></p> 	<p><i>Stud - 011416</i></p> 	<p><i>Stud Machine Screw - 011422</i></p> 
<p><i>Tenax - Button</i></p>  <p>011405</p>	<p><i>Tenax - Plate</i></p> 	<p><i>Screw & Washer (20) - 011411</i></p> 	<p><i>Door Pocket Fixing Kit (4) 041407</i></p> 

This is not our full range of fittings.





Trim Fittings

Ref No	Description	Stock Code
	Carpet Fixing Kit: TR2 – TR3B	011401
	Carpet Clip: Male	011402
	Carpet Clip: Female	014403
	Hood Tonneau Stud: Male	014406
	Hood Tonneau Stud: Female	011407
	Retainer – Hood Webbing	011408
	River: Male	011410
	Screw and Washer Set: TR2 – TR3B	011411
	Seat Clip	011412
	Trim Panel Fixing Kit: TR2 – TR3B	011413
	Lift The Dot: Female - Socket	011414
	Lift The Dot: Female - Plate	011415
	Lift The Dot: Male – Wood Screw	011416
	Lift The Dot: Male – Machine Screw	011417
	Nut for LTD Machine Screw	
	Seat Clip: Tubular	011418
	Screw: Trim Fixing	011419
	Tenax Fastener: Female	011405
	Tenax Fastener: Male – Wood Screw	011422
	Tenax Fastener: Male – Machine Screw	011423
	Door Capping: End Button – TS22014+:TR3A	011420
	Carpet Fixing Kit: TR4 – TR6	041401
	Door Panel Cover, Clip, Screw: TR4 – TR6	041407
	Trim Panel Fixing Kit: TR4 – TR6	041406
	Trim Panel Clip: TR4 – TR6	051402
	Hood/Tonneau Stud: Female – Black: TR5 /TR6	051403
	Dashboard Screws: Silver: TR4A	051405
	Dashboard Screws: Black: TR6	051406

