



Please give our details to other classic car owners or classic car clubs. Thanks

Useful Information

- *Vinyl (Ambla) : Coloured plastic based material with a knitted cotton backing – will stretch easily. Grain : Various grains, mainly Stag & 1290 (Rough Grain- used on Late TR6 & MGB)*
- *Leathercloth (Vynide) : Coloured plastic based material with a woven cotton backing – does NOT stretch easily. (Thinner than vinyl). Various grains, mainly Stag & 1290 (Rough Grain- used on Late TR6 & MGB)*
- *Hardura : Coloured plastic based material with a thin felt backing with a pebble like grain.*
- *Union Cloth : A good quality wool & cotton mix headlining material.*
- *Moquette : A good quality thin wool & cotton low pile fabric, used on seat backs, wheel arch covers etc.*
- *Hooding – PVC (Everflex) : Coloured plastic based material with a woven cotton backing. It is waterproof and comes in various grains, mainly Stag grain. Used for hoods, sidescreens, tonneau and hood frame covers.*
- *Hooding –Duck : Coloured cloth based material. It is waterproof and used for hoods, sidescreens, tonneau and hood frame covers.*
- *Hooding – Mohair : This is a top quality coloured cloth based material with a built in lining in either beige or black. It is waterproof and used for hoods, sidescreens, tonneau and hood frame covers.*
- *Armacord : A thick plastic coated felt, the plastic being ribbed. Used on Austin-Healey's in various colours, BUT now only available in black. (Can be re-coloured)*
- *TPK = Trim Panel Kit (contents are as per our current list).*
- *TK = Complete interior Trim Kit (contents are as per our current list).*
- *WAC = Wheel Arch Covers.*
- *HFC = Hood Frame Cover or envelope (Covers hood frame and hood when folded down).*
- *Sidescreens or side curtains.*
- *Boot or Trunk.*
- *Hood or convertible top.*
- *Re-trim kit is generally materials to recover old panel / unit / seat frame etc.*

Keeping your Classic in Trim since 1980



Buy British



Details	Page Number
---------	----------------

<i>Index & Original Features</i>	2
<i>Sales Policy</i>	3
<i>Order Form</i>	4
<i>Terms & Conditions</i>	5
<i>Company Information</i>	6
<i>Colour & Trim References</i>	7

<i>TR2 : To TS 8,636</i>	8 & 9
<i>TR3 : TS 8,637- TS 22,013</i>	10 & 11
<i>TR3A : TS 22,014-TS 60,000</i>	12 & 13
<i>TR3A : TS 60,001 to End</i>	14 & 15

<i>Weather Equipment : TR2-TR3A</i>	16 & 19
-------------------------------------	---------

<i>Trim Fittings : TR2-TR3B</i>	20 & 21
---------------------------------	---------

TR Catalogue Index

Original Features

<i>Multi-piece gearbox carpet</i>
<i>Bulkhead with "pressed in" pattern</i>
<i>Bulkhead with "heat welded" pattern</i>
<i>Bulkhead with "heat welded" pattern</i>

<i>Correct hood styles including 1 window type</i>
--

We manufacture trim for the following British Classic Cars & can supply Catalogues with samples. If you have no further use for our catalogue please pass it on to a fellow classic car owner or classic car club.

<i>Austin - Healey</i>	<i>Jaguar</i>	<i>Triumph</i>	<i>MG</i>
<i>BN1 & BN2</i>	<i>XK 120</i>	<i>TR2</i>	<i>MGA Roadster</i>
<i>BN4</i>	<i>XK 140</i>	<i>TR3</i>	<i>MGA Coupe</i>
<i>BN6 & BN7</i>	<i>XK 150</i>	<i>TR3A & TR3B</i>	
<i>BT7</i>	<i>"E" Type</i>	<i>TR4</i>	
<i>BJ7</i>	<i>MK 2</i>	<i>TR4A</i>	
<i>BJ8</i>	<i>Daimler V8 250</i>	<i>TR5 & TR250</i>	
	<i>"S" Type & 420</i>	<i>TR6</i>	
	<i>MK 10 & 420G</i>		
	<i>XJ Saloons</i>		
	<i>XJS</i>		





Sales Policy

Orders / Catalogue & sample requests -

For your convenience you can place orders or request catalogue/samples 24 hours a day using :

- Email....sales@john-skinner.co.uk
- Web site....www.john-skinner.co.uk
- Fax....+44 (0)1285 650013
- Alternatively you can write to us at our postal address.
- Telephone on +44 (0)1285 657410 Monday to Friday between 9.00am and 4.30pm.
- If required we are happy to send you a detailed order confirmation.
- It is the customers responsibility to ensure that the correct parts are ordered, we are happy to help identify incorrect trim items fitted to your car. (In many cases trim items will fit other variations of the same or similar model. e.g. trim panels, seats, hood frames, etc.)
- Unless your order clearly states you require non original parts, your order will be made to the specification set out in our catalogue. Please check as **JOHN SKINNER (MANUFACTURING) LTD** can not be held responsible for parts incorrectly ordered and supplied.

To help us process your order or catalogue/sample requests promptly please give as many details as possible, including your postal details, telephone, fax,email address, car details including exterior colour and trim colour(s). It is also very important to use our stock codes /descriptions when ordering and confirming colour combinations. (For guidance any samples sent to you will have a description & stock code [eg 99951***] printed on attached label)

There is a minimum order value of £5-00.

Payment -Payment must be made with your order unless you have an authorised credit account.

Recommended payment methods are :

- Credit Card : Visa & Mastercard are accepted. Please ensure your complete card details are given including card number, expiry date & cardholder name and postal address.
- Personal cheque : All personal checks will be cleared before shipment of any order.
- Bank cheque (draft), postal orders or international money orders.
- Direct transfer into our bank account, details as follows : **JOHN SKINNER (MANUFACTURING) LTD**
LLOYDS TSB 130,High St, Cheltenham, GL50 1EW Account No : 1863336 Bank Sort Code : 30-91-87

Shipping- All orders will be shipped promptly (except those paid by personal cheque awaiting clearance) via carrier or post.All overseas shipments will be shipped first class air mail or via shipping agent. Within the EU we have a good flexible, economic carrier that offers a 3 to 4 day service . If you require a specific shipping arrangement please make sure that we are told at the time of order.Customer pays all shipping, insurance , duty and customs costs that may be applicable. For our customers outside Great Britain be sure to check both the regulations governing import duties and restrictions on weight, size and/or merchandise.

Claims- Check all shipments BEFORE you sign for them, should any order arrive damaged, check the contents with the carrier & sign the delivery note giving details of any damaged/missing parts .All claims must be made to the carrier and copied to us. Claims for loss, shortages,errors or damages MUST be made within 3 DAYS of RECEIPT of your order.

Returns-All sales are considered final.Permission must be obtained from **JOHN SKINNER (MANUFACTURING) LTD**, before returning any merchandise. Request for return of merchandise must be made within 10 days of the receipt of order. All returns must include a copy invoice and a returns reference number (Bk **/**) and are subject to :

- A 20% re-stocking charge.
- Any unauthorized returns will not be accepted.
- No returns on special order items unless defective or incorrectly manufactured items have been supplied.
- No claim on any item that has been damaged, cut , glued. All items must be in a re-saleable condition.
- It is important to note that before fitting of any trim part, a visual check of the new part for quality and comparison with the part it will replace is essential, if in doubt contact us for help.

Special Order Items- Please allow 3 to 6 weeks for delivery as these items are generally made for your individual car. There will be no returns of special order items unless defective or incorrectly manufactured items were supplied. A non-refundable deposit of 50% will be required once work has started on a special order item.

Back-Orders- Will be shipped as soon as possible,if no back-order required please inform us at the time of order.

Warranty- All parts are subject to the manufacturers warranty of 6 months, which covers workmanship and materials but does not cover labour or failure of their product as a result of misuse, incorrect installation or failure of related parts, nor would the liability of **JOHN SKINNER (MANUFACTURING) LTD**, exceed the cost of the original part.

Prices- All prices are subject to change without prior notification. Where a price increase has occurred, price charged will be that at the date of shipment. Prices exclude VAT (Tax), shipping/handling costs.

VAT will be charged at the rate ruling at the date of invoice, anyone claiming VAT free prices or VAT refunds must comply with the relevant VAT & EU rules and regulations.



TERMS & CONDITIONS

1. All our quotations and all orders accepted by us are subject to these terms of business. In these terms all orders are termed contracts. No contracts are entered into us except upon these terms. We shall not be bound by any terms which are inconsistent with these terms; any Purchaser's order or acceptance which purports to include any inconsistent terms shall be construed as if that term was not included therein and shall be deemed for all purposes to be an order or acceptance incorporating these terms of business. In these terms the expression 'quotations' shall include tenders and the expression 'goods' shall include all equipment and materials supplied by us.
2. No variation of these terms of business or addition thereto shall be effective unless in writing duly signed on our behalf.
3. These terms and all contracts relating to them shall in all respects be construed and governed by English Law and the parties hereby submit to jurisdiction of the English Courts.
4. Quotations are limited to the goods specified therein and are subject to availability of the goods at the time when the order is placed. Unless otherwise specified, a quotation at a fixed price will be subject to withdrawal if any order is not placed within 30 days from the date appearing on the quotation.
5. We reserve the right to take up financial references. Acceptance of any order shall be conditional upon such references being found by us to be satisfactory.
6. Prices are based on the cost of materials, components, accessories, labour, transport, statutory obligations and establishment charges and may be subject to variation if any change in such cost or in currency exchange rates affecting such cost takes place before or during the performance of the contract.
7. Carriage prices are inclusive of all carriage charges but any special despatch arrangements to or from ourselves made at the customer's request will be chargeable.
8. Payment of invoices of approved credit customers shall be due 30 days from date of invoice unless terms are stated on the invoice. If payment is delayed the company reserves the right to charge interest at the rate of 2 ½% per month or part of. The company reserves the right to employ Solicitors and/or Debt Collectors in order to recover the debt. The customer will be liable for all charges incurred by the company in recovering the debt.
9. From the date of despatch from our works or delivery by our own transport (as the case may be) until payment of the whole sum payable under the contract has been received by us, all goods shall be at the sole risk of the Purchaser who shall keep them insured against all risks and shall indemnify us against any depreciation or damage to the goods in the event of such payment not being made.
10. Whenever delivery is made before payment of the whole sum payable under the contract, goods delivered shall, to the extent permitted by the law of the country where the goods are situated after delivery, remain our property until we receive such payment. If such law does not permit us to retain the property in the goods we shall be entitled to the benefit of such rights in respect thereof as such law permits us to retain. The Purchaser shall give us every assistance, and shall procure that any ultimate user of the goods shall give every assistance in taking measures required to protect our right of property or other such rights as aforesaid.
11. All drawings, photographs, illustrations, advertisements, particulars and descriptive matter supplied by us are intended to present a general idea of the goods described therein but are not binding and are subject to change or variation from time to time.
12. Dimensions, weights, colour and performances are not guaranteed but will be within reasonable tolerances.
13. Colour Variation:
 - a) On material such as leather, vinyl, leathercloth, carpet, moquette and hardura colour variations can occur between production runs of each material.
 - b) There is often not a perfect colour match between different materials; often it is more an acceptable contrast.
 - c) Shading: All pile carpets are liable to shading and the customer is advised to take this into account when choosing the carpet. Therefore, the company will not entertain any claims with respect to shading.
 - d) Matching: Carpets cut from more than one roll may vary slightly in colour or pattern. The company reserves the right to supply the customer with the best match obtainable.
14. Despatch and completion times are approximate only and we accept no liability whatever in respect of any delay however caused. Such times shall date from the acceptance by us of a written order and shall be subject to our receiving as and when required all instructions, approved drawings, licences, letters of credit, guarantees, deposits, components to be provided by the Purchaser or his supplier and generally all such information and other assistance as may be necessary to enable the works to be carried out. Within seven days after the date of notification that any goods are ready for despatch, the Purchaser shall take delivery or arrange storage at the risk and cost of the Purchaser and the goods shall thereupon be deemed to have been delivered.
15. We shall be relieved of any obligations incurred under a contract and the Purchaser shall be responsible for any extra costs involved whenever and to the extent that the fulfilment of such obligations is prevented, frustrated or impeded as a consequence of war, civil war, strikes, lockouts, trade disputes, fire, earthquake, statutes or regulations issued by any duly constituted authority or other contingencies beyond our control.
16. If goods in transit within the United Kingdom are damaged or partially lost the Purchaser shall give notice of damage or loss in writing to us within 3 days of receipt of goods and to the carrier at once. If such goods are wholly lost the Purchaser shall give notice of damage or loss in writing to us and to the carrier (if any) within twenty-eight days after the transit began.
17. Cancellations: Cancellations cannot be accepted once goods have been cut or despatched. If the Purchaser proposes any alterations after the contract has been accepted, or is in breach of any term of contract, we shall have the right, inter alia, to charge the Purchaser (in addition to the contract price), the whole of the expenses arising from such proposal or breach, including in particular all extra drawings, surveys, materials, components, accessories, waiting time, together with establishment charges and profit allowances at the rate included in our original price.
18. The Purchaser shall be responsible for providing the necessary facilities and means of unloading goods delivered.
19. Any order placed by a Purchaser shall constitute a representation that the Purchaser has complied with every applicable statute, order, regulation, direction or bye-law and all other lawful requirements of any government or duly constituted authority and that, in particular, the Purchaser has lawfully obtained every necessary licence, permit or consent which may be required in connection with the performance of the contract.
20. Credit is not normally allowed on returned goods, such specific being assessed on its merits. No goods may be returned without our authority that we will accept the returns. Application for return must be made in writing 10 days from date of despatch. Credit if any, would be notified after we have inspected the goods at our works. Unless otherwise agreed by us in writing all such returns must be arranged and transported at the customer's expense. Credit will not be allowed on any goods which have been damaged or cut by the customer or their agents. All goods returned for credit must be in a saleable condition and will be subject to a 20% handling charge.



Company Information

Thank you for your enquiry, listed below is information which I hope you will find useful and relevant when making the important decision about replacing your classic car interior. Should you require any further information or help, please do not hesitate to contact us.

- Established in 1980 to produce quality interior trim for British classic cars to original specification .
- Operated from a large modern factory in the small Cotswold town of Cirencester, situated about 80 miles (130 kilometres) west of London.
- Over the years our reputation is linked with **QUALITY & ORIGINALITY** but also flexible enough to produce that very special one off interior .
- All but a very few items are produced in our own factory by a team of dedicated trimmers and sewing machinists.
- As a specialist trim manufacturer we can offer :
 1. Seat kits which are tailor-made, with all the necessary sewing complete and so are ready to fit. Shape , style and pleats are as original (together with heat embossed patterns on some TR & Austin-Healey models)
 2. Carpet kits professionally made in a wide range of colours and qualities, with heel pads , handbrake covers sewn in and with all originally bound edges complete.
 3. All our trim panel boards are cut on purpose made tooling so ensuring a consistent accurate shape and fit. All mounting holes, slots etc are pre-cut to ensure accurate and trouble free fitting.
 4. We have our own High Frequency Plastic Welding machines, these specialist machines when used with the correct tools heat emboss patterns into trim panels, e.g. the pattern found on many door panels, seat covers etc.
 5. We use only top quality materials, leather, vinyl, leathercloth, carpet, moquette, hardura & headlining .
- We take pride and care in ensuring the best possible colour match between different materials used in our trim products, but it is advisable to order all the parts you require at the same time to avoid any possible colour match problems.
- We are also flexible enough to offer a customer a more individual interior should that be required. Maybe a special colour or special coloured piping, all of this is no problem. It should be also noted that providing we can get the required vinyl it is possible to high frequency weld into any trim items original welded patterns as originally featured on that car.
- It should also be noted that because of the specialist nature of trim manufacture, it is likely that we will manufacture your order specially for your car, this can take 3 to 4 weeks depending upon our work load.
- We ship worldwide by land, sea & air.
- We accept payment by cash, cheque, bank draft , VISA & MASTERCARD
- **JOHN SKINNER (MANUFACTURING) LTD** is a recognised supplier for the British TR & Austin-Healey Clubs, is a long standing member of The Jaguar Specialists Association (This Association is recognised by Jaguar Cars Ltd)

Keeping your Classic in Trim since 1980





Trim & Colour Reference Numbers

Colour	Leather	Vinyl	L/cloth	Carpet			For	Hoods	
		(Ambla)	(Vynide)	Wool	Classic	Standard	PVC	Duck	Mohair
Black	99951001	99948001	99949001	99950001	99950020	9995021	99954001	99954007	99954009
Black: Print	99951002	99948002	99949002	99950001	99950020	9995021	*	*	*
Red	99951003	99948003	99949003	99950002	99950022	9995017	99954004	*	*
Grey	99951004	99948004	99949004	99950004	*	9995019	99954016	*	*
Stone	99951020	99948005	99949005	99950009	*	9995019	99954002	*	99954020
Doeskin	99951020	99948005	99949005	99950009	*	*	99954002	*	99954020
Shadow :SG	99951006	99948006	99949006	99950005	*	*	*	*	*
Blue :RG	99951006	99948007	99949007	99950005	*	9995014	*	*	*
Light Tan	99951013	99948008	99949008	99950006	*	9995014	99954006	*	99954020
Biscuit	99951013	99948008	99949008	99950006 99950003	*	9995016	99954006	*	99954020
New : SG	99951007	99948009	99949009	99950007	99950024	9995015	*	*	*
Tan : RG	99951007	99948010	99949010	99950007	99950024	9995015	*	*	*
Chestnut	99951008	99948011	99949011	99950008	99950024	9995025	99954	*	*
Beige:RG	99951026	99948012	99949012	99950009	*	9995019	99954002	*	99954020
Parchment	99951017	99948013	99949045	99950009	*	9995020	99954005	*	*
Parchment-Jag	999510	99948052	*	99950009	*	*	*	*	*
Old Beige	99951005	99948015	99949015	99950009	*	*	99954002	*	99954020
Old Grey	99951023	99948016	99949016	99950004	*	9995020	99954016	*	*
Cinnamon	99951009	99948017	99949017	99950006 99950007	99950024	9995019	*	*	*
Dark Tan	99951025	*	99949018	99950007	99950024	*	*	*	*
Russet Red	99951011	99948019	99949019	99950013	99950023	*	99954014	*	*
Suede Green	99951010	99948020	99949020	99950014	*	*	99954	*	*
Maroon	99951012	99948021	99949021	99950015	*	9995018	99954018	*	*
Saville Grey	99951014	99948022	99949022	99950016	*	*	99954016	*	*
Dark Blue	99951022	99948023	99949023	99950017	99950023	9995022	99954021	*	99954013
Magnolia: Jag	99951015	99948024	99949024	99950009	*	*	*	*	*
Magnolia:RR	99951027	99948029	*	99950009	*	*	*	*	*
Dark Green	99951018	99948025	99949041	99950018	*	9995023	99954017	*	99954033
Midnight Blue	99951019	99948026	99949026	99950017 99950005	99950023	9995024	99954021	*	99954013
Bright Red	99951021	99948027	99949043	99950013	99950022	*	99954014	*	*
Dark Beige	99951028	99948028	99949028	99950006	*	*	*	*	*
White	99951	99948046	99949044	*	*	*	99954003	*	*

NOTE :

There are other colours available, samples are available for the following trim materials : Leather, Vinyl, Leathercloth, Moquette, Hardura : Headlining : Carpet - 3 qualities (some colours only)
Please note that very often we manufacture the trim specially for your classic car

Important

JOHN SKINNER (MANUFACTURING) LTD cannot Guarantee 100% colour matches to samples supplied or 100% colour match on extra materials or trim ordered after the original order is made. It is strongly recommended that all trim & extra materials are ordered at the same time. For best results send a colour sample for matching & we will supply the best colour match available. When you buy direct from us you are not just buying a part number with no service backup ! you are buying quality trim with help & advice if required.

Important

JOHN SKINNER (MANUFACTURING) LTD cannot Guarantee 100% colour matches to samples supplied or 100% colour match on extra materials or trim ordered after the original order is made. It is strongly recommended that all trim & extra materials are ordered at the same time. For best results send a colour sample for matching & we will supply the best colour match available. When you buy direct from us you are not just buying a part number with no service backup you are buying quality trim with help & advice if required.

Vinyl/Ambla : This material is a grained coloured plastic with a knitted cotton backing that stretches quite easily.

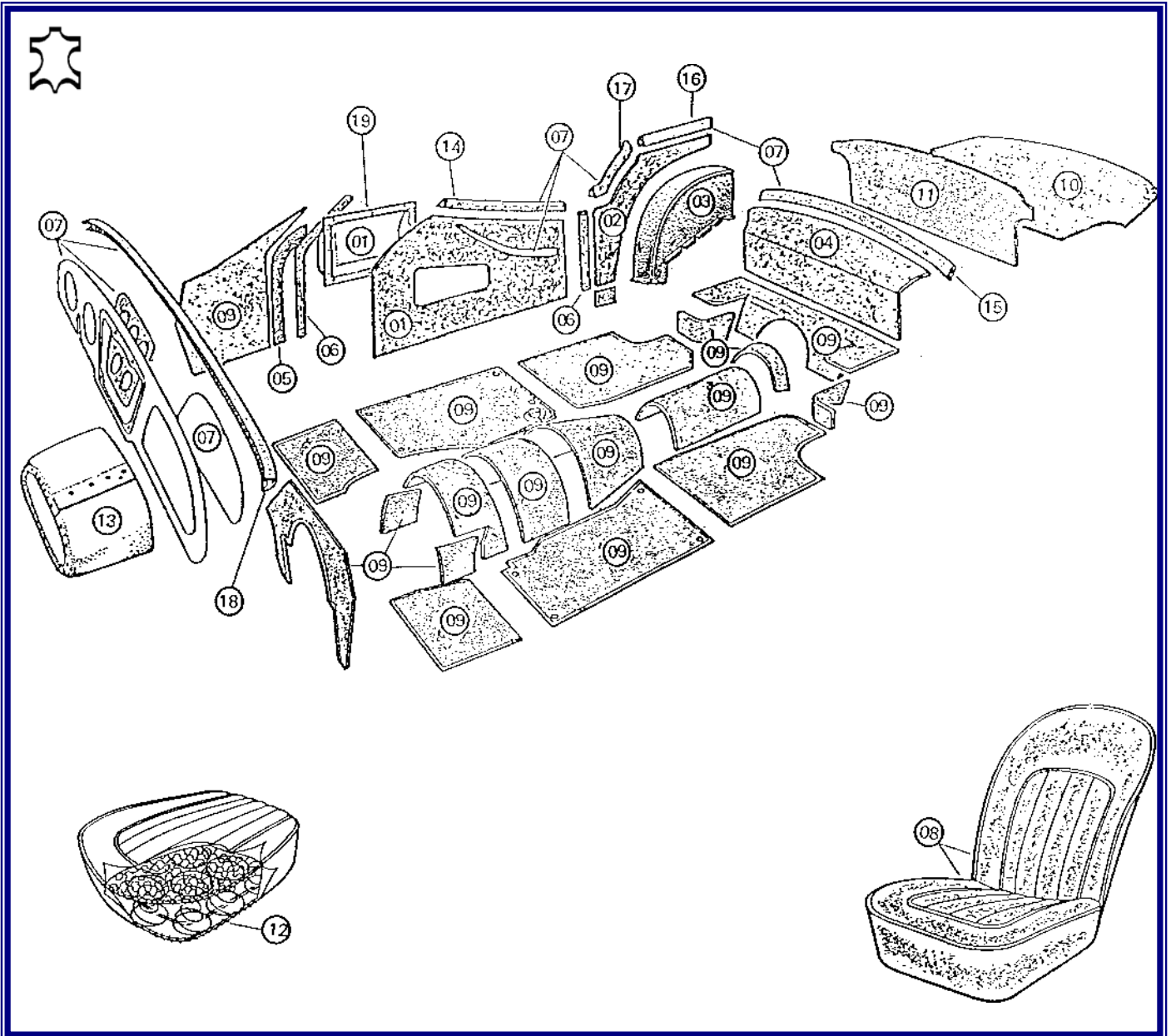
Leathercloth/Vynide : This material is a grained coloured plastic with a woven cotton backing that does not stretch very much.

Hoarding : PVC is a coloured plastic, Duck is a cloth, Mohair is a cloth hoarding with a beige or black lining.

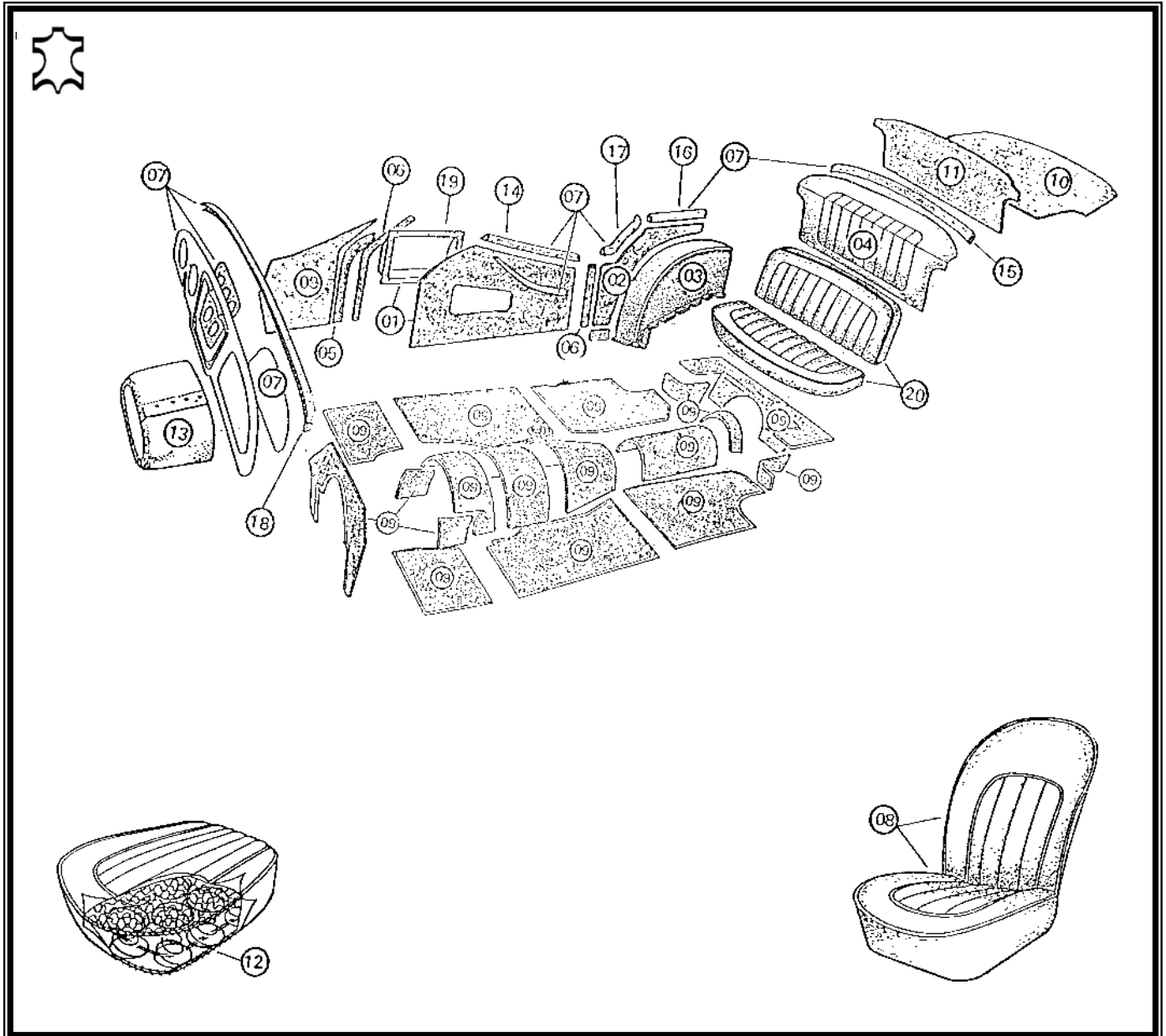
Keeping your Classic in Trim since 1980



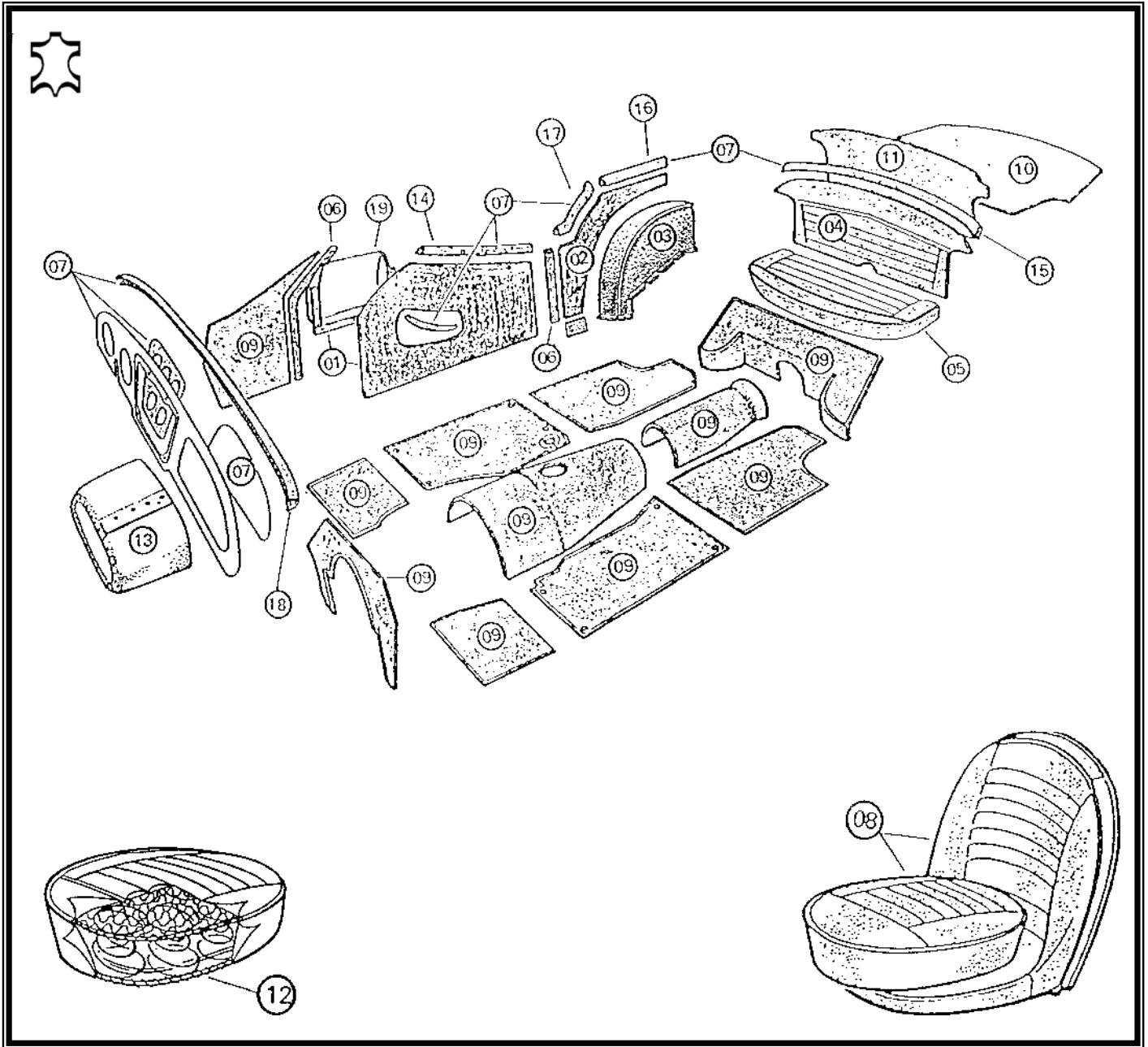
TR2 (To TS 8,636)



TR3 (TS 8,637 To TS 22,013)



TR3A (TS 22,014 To TS60,000)

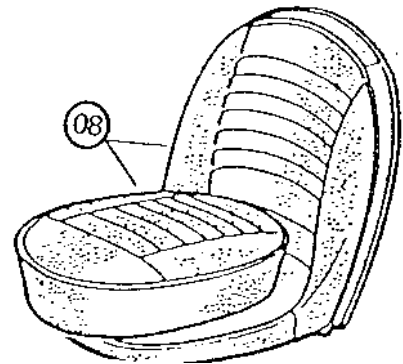
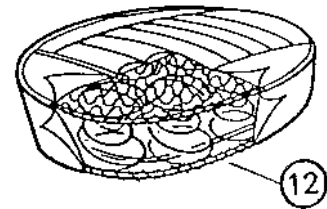
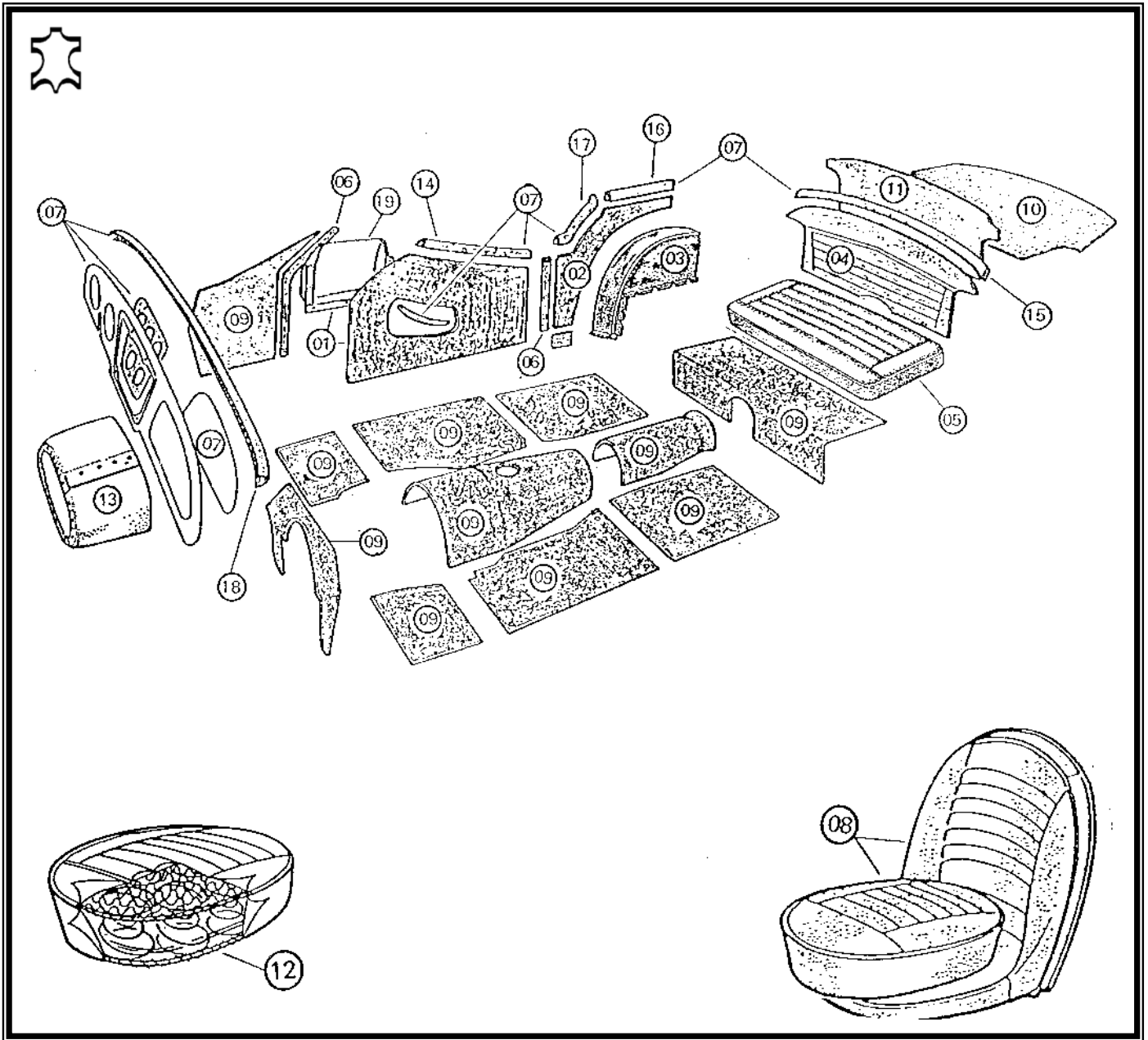


TR3A (TS 22,014 To TS60,000)

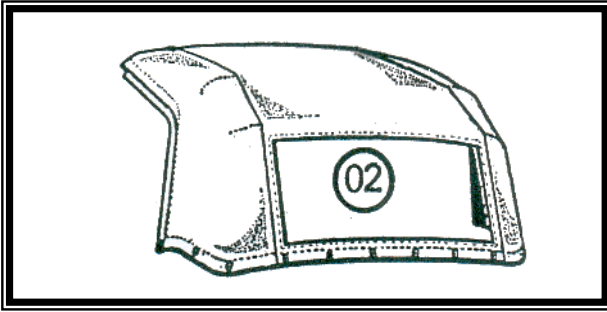
Ref No	Description	Trim Colour	Black	Red	Stone	Grey	M Blue	Special * State colour
		Piping Colour	White	White	White	White	White	
01	Door panels & flocked pockets		030310	030311	030312	030313	030314	030319
02	Quarter panels		030440	030441	030442	030443	030445	030449
03	Wheel-arch covers		020440	020441	020442	020443	020445	020449
04	Bulkhead panel [Vinyl welded as original]		030420	030421	030422	030423	030425	030429
06	Draught excluder [Furlflex] kit		030460	030461	030462	030463	030464	030465
07	D'board.tonn.door top & pull kit [All vinyl]		010450	010451	010452	010453	010455	010459
07	D'board.tonn.door top & pull kit [7pcs leather]		010490	010491	010492	010493	030450	010499
01	Trim Panel Kit: Vinyl [All]		030120	030121	030122	030123	030125	030129
to	Trim Panel Kit: Vinyl + 7 pieces leather		030101	030102	030103	030104	030105	030109
07	Trim Panel Kit: Leather [All]		030220	030221	030222	030223	030225	030229
08	Seat Kit: front-Vinyl		030520	030521	030522	030523	030525	030529
05	Seat Units: rear-Vinyl		030810	030811	030812	030813	030815	030819
08	Seat Kit: front-Leather faced		030620	030621	030622	030623	030625	030629
05	Seat Units: rear-Leather faced		030910	030911	030912	030913	030915	030919
08	Seat Kit: front-All leather		030720	030721	030722	030723	030725	030729
05	Seat Units: rear-All leather		031010	031011	031012	031013	031015	031019
09	Carpet set: Wool-RHD		031101	031102	031103	031104	031106	031109
09	Carpet set: Wool-LHD		031126	031127	031128	031129	031133	031131
09	Carpet set: Classic-RHD		031115	031116			031117	
09	Carpet set: Classic-LHD		031135	031136			031137	
09	Carpet set: Standard-RHD		031120	031121	031123	031124	031122	031125
09	Carpet set: Standard-LHD		031140	031141	031147	031148	031145	031143
	Underfelt kit		011554					
10	Boot carpet: Wool		011321					
10	Boot carpet: Standard		011310					011319
10	Boot mat: hardura		011320					011329
11	Boot liner board		011330					
	Boot Side & Wheel Arch kit: Carpet Standard		011316					011317
12	Seat cushion springs		031520					
	Seat foam kit		031517					
	Seat tacking strip kit		031516					
13	Glovebox: RHD		011530	011531	011532			011548
13	Glovebox: LHD		011540	011541	011542	011544	011543	011549
	Door capping [metal]: LH		031521					
14	Door capping [metal]: RH		013522					
15	Tonneau capping rim [metal]: Centre		011560					
	Tonneau capping rim [metal]: LH		011562					
16	Tonneau capping rim [metal]: RH		011561					
	Quarter elbow capping [metal]: LH		011567					
17	Quarter elbow capping [metal]: RH		011566					
18	Dash scuttle capping [metal]		011568					
19	Door panel pockets - flocked		031501	013502	031503			
	Spare Wheel Retaining Strap		011331					
	Rubber Core for Door Top Capping		011557					
	Door Top End Button		011594					
	Weather Equipment - See Page No : 35 - 38							
	Fitting Kits & Fittings - See Page No: 47 - 48							



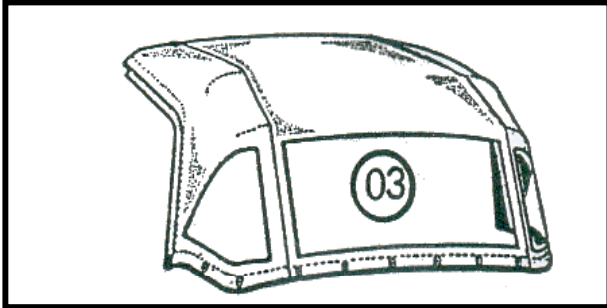
TR3A (TS 60,001 To end)



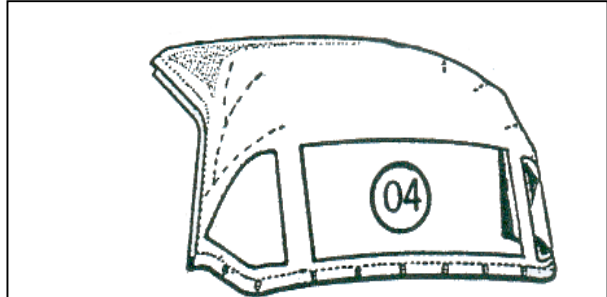
Hood (one Window) & Fittings TR2 To TS 4,399



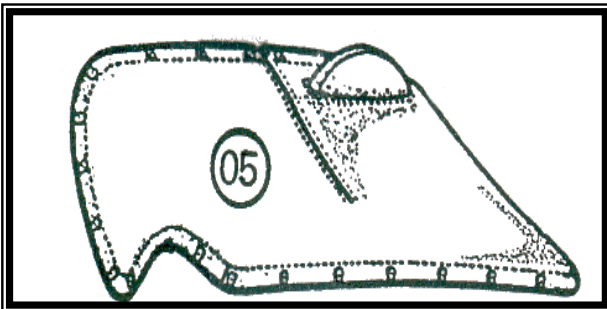
Hood (3 Windows) & Fittings TR2 to TR3A TS 22,825



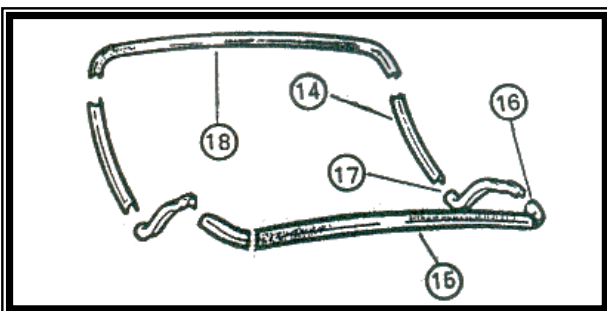
Hood (3 Windows) & Fittings TR3A TS 22,8256+



Tonneau Cover & Fittings TR2 to TR3B

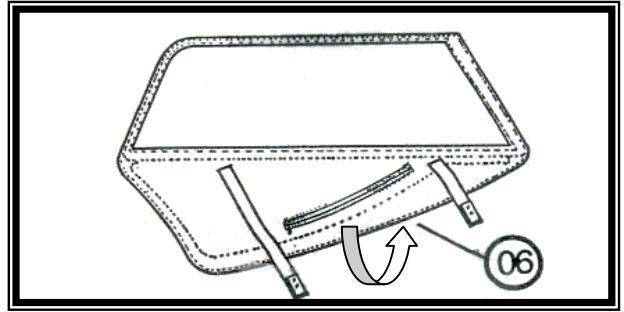


Metal Cappings To Ts 22,013 TR2 to TR3

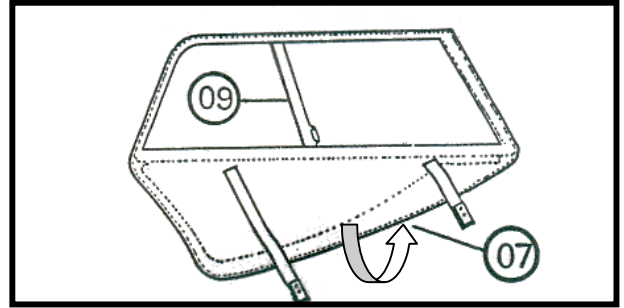


Weather Equipment : TR2 to TR3A

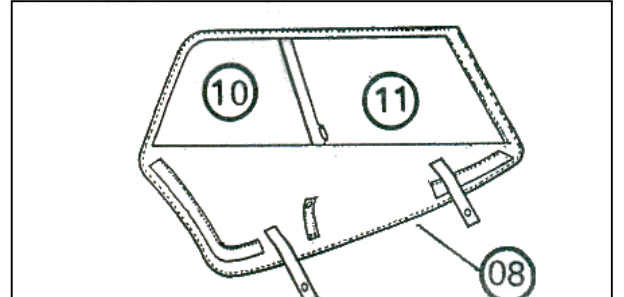
Sidescreen & Fittings TR2 to TS8,637



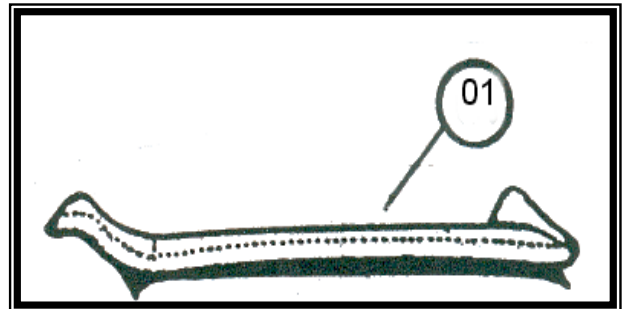
Sidescreen & Fittings TR2 & TR3A to TS 28,825



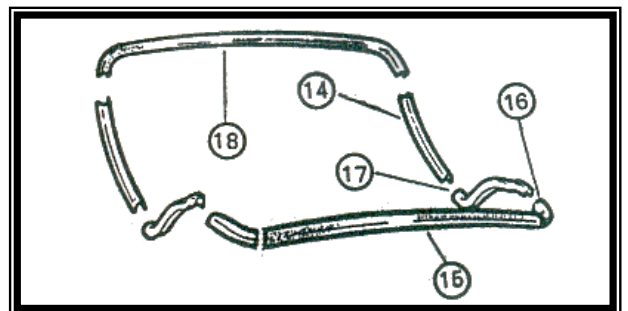
Sidescreen & Fittings TR3A to TS 28,826+



Hood Frame Cover & Fittings TR2 to TR3B



Metal Cappings Ts 22,014 + TR3A



Weather Equipment : TR2 to TR3A

Ref No	Description	Trim Colour	Black	Red	Stone	Grey	White	M Blue
	Hood Webbing:		011201	*	*	011202	*	*
	Hood Webbing: [3 mtr]		012203	*	*	012204	*	*
01	Hood Frame Cover: [To TS 41743]		011205	011206	011207		011208	011209
01	Hood Frame Cover: Duck [To TS 41743]		011210	*	*	*	*	*
01	Hood Frame Cover: Mohair To TS 41743]		011214	*	*	*	*	011216
01	Hood Frame Cover: [TS 41744+]		031201	031202	031203		031204	031205
01	Hood Frame Cover: Duck [TS 41744+]		031206	*	*	*	*	*
01	Hood Frame Cover: Mohair [TS 41744+]		031207	*	*	*	*	*
02	Hood: 1 Window [To TS 4399]		011251	011252	011253		011254	011255
02	Hood: Duck 1 Window [To TS 4399]		011260	*	*	*	*	*
02	Hood: Mohair 1 Window [To TS 4399]		011261	*	*	*	*	011262
03	Hood: 3 Windows [To TS 28, 825]		021201	021202	021203		021204	021205
03	Hood: Duck 3 Windows [To TS 28, 825]		021209	*	*	*	*	*
03	Hood: Mohair 3 Windows [To TS 28, 825]		021207	*	*	*	*	021208
04	Hood: [TS 28, 826+]		031250	031251	031252		031253	031254
04	Hood: Duck [TS 28, 826+]		031258	*	*	*	*	*
04	Hood: Mohair [TS 28, 826+]		031256	*	*	*	*	*
05	Tonneau: RHD: [To TS 5255]		011220	011221	011222		011223	
05	Tonneau: RHD: [TS 5256+]		011226	011227	011228		011229	011230
05	Tonneau: RHD: Duck [To TS 5255]		011243	*	*	*	*	*
05	Tonneau: RHD: Duck [TS 5256+]		011244	*	*	*	*	*
05	Tonneau: RHD: Mohair [To TS 5255]		011247	*	*	*	*	
05	Tonneau: RHD: Mohair [TS 5256+]		011248	*	*	*	*	
05	Tonneau: LHD: [To TS 5255]		011232	011233	011234		011235	
05	Tonneau: LHD: [TS 5256+]		011238	011239	011240		011241	011242
05	Tonneau: LHD: Duck [To TS 5255]		011245	*	*	*	*	*
05	Tonneau: LHD: Duck [TS 5256+]		011246	*	*	*	*	*
05	Tonneau: LHD: Mohair [To TS 5255]		011249	*	*	*	*	
05	Tonneau: LHD: Mohair [TS 5256+]		011250	*	*	*	*	011250L
06	Sidescreen Units: [To TS 8637]		011270	011271	011272	011273		011274
06	Sidescreen Units: Duck [To TS 8637]		011280	*	*	*	*	*
06	Sidescreen Units: Mohair [To TS 8637]		011285	*	*	*	*	
07	Sidescreen Units: [To TS 28, 825]		031230	031231	031232		031233	031234
07	Sidescreen Units: Duck [To TS 28, 825]		031240	*	*	*	*	*
07	Sidescreen Units: Mohair [To TS 28, 825]		031243	*	*	*	*	
08	Sidescreen Units: [TS 28, 826+]		031270	031271	031272		031273	031274
08	Sidescreen Units: Duck [TS 28, 826+]		031280	*	*	*	*	*
08	Sidescreen Units: Mohair [TS 28, 826+]		031285	*	*	*	*	
06	Sidescreens: Re-Trim Kit :PVC [To TS 8637]		0112101	0112102	0112103			
06	Sidescreens: Re-Trim Kit: Duck [To TS 8637]		0112120	*	*	*	*	*
06	Sidescreens: Re-Trim Kit: Mohair [To TS 8637]		0112121	*	*	*	*	0112122
07	Sidescreens: Re-Trim Kit: PVC [To TS 28, 825]		031289	031290	031291		031292	
07	Sidescreens: Re-Trim Kit: Duck [To TS 28, 825]			*	*	*	*	*
07	Sidescreens: Re-Trim Kit: Mohair [To TS 28, 825]			*	*	*	*	
08	Sidescreens: Re-Trim Kit: PVC [TS 28, 826+]		0312101	0312102	0312103		0312104	
08	Sidescreens: Re-Trim Kit: Duck [TS 28, 826+]			*	*	*	*	*
08	Sidescreens: Re-Trim Kit: Mohair [TS 28, 826+]			*	*	*	*	*
09	Sidescreen Window: edge strip		031223					
10	Sliding Window: LH [To TS 28,825]		031220					
	Sliding Window: RH[To TS 28,825]		031221					
10	Sliding Window: LH [TS 28,826+]		031225					
	Sliding Window: RH[TS 28,826+]		031226					
11	Fixed Window: Cobex		031222					

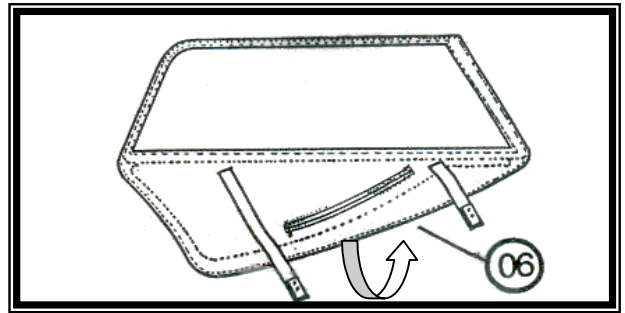
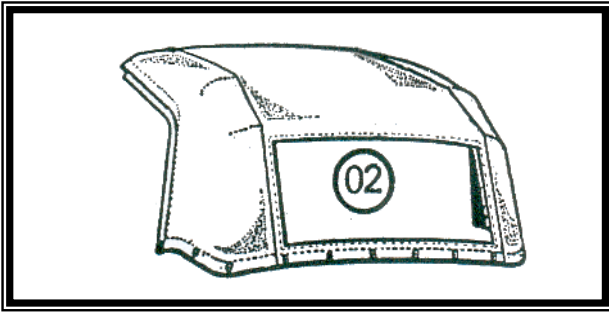
NOTE: Weather Equipment includes some fittings !



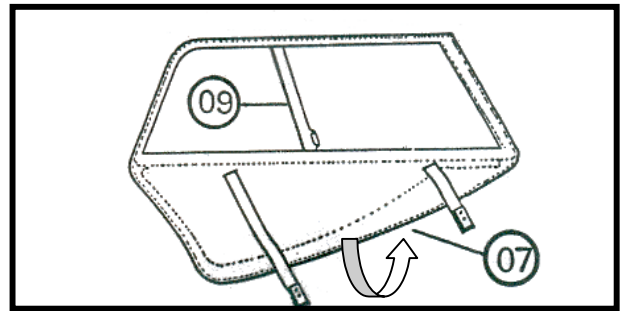
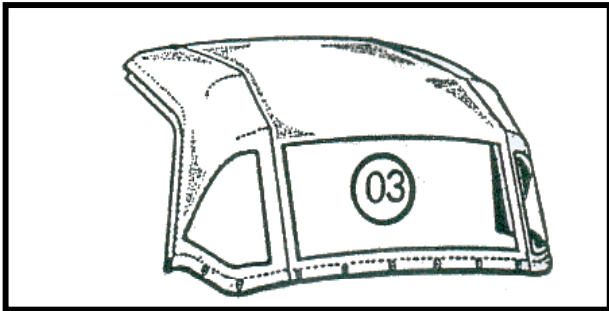
Weather Equipment : TR2 to TR3A

Sidescreens & Fittings TR2 To TS 8,637

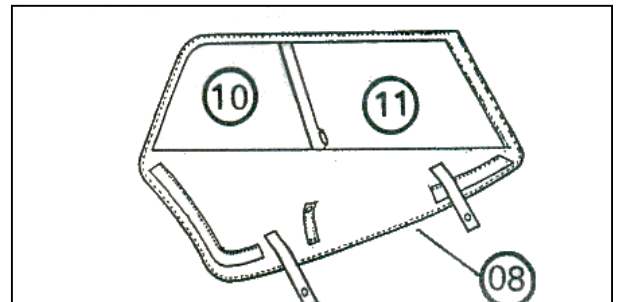
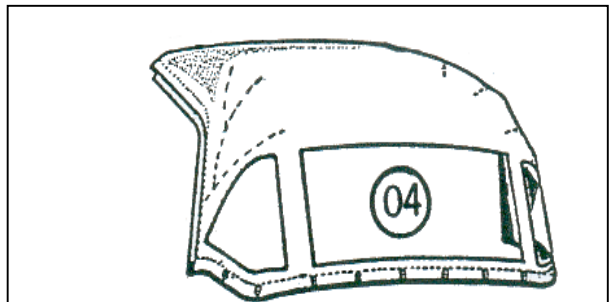
Hood (one Window) & Fittings TR2 To TS 4,399



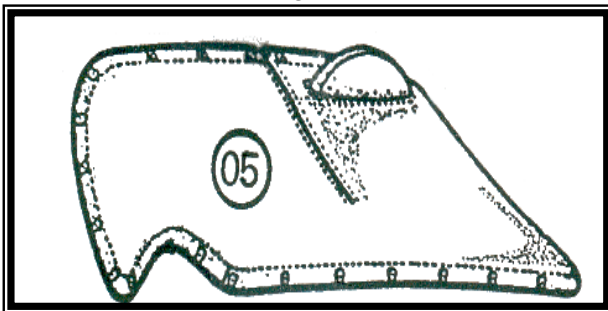
Hood (3 Windows) & Fittings TR2 to 3A To TS 22,825



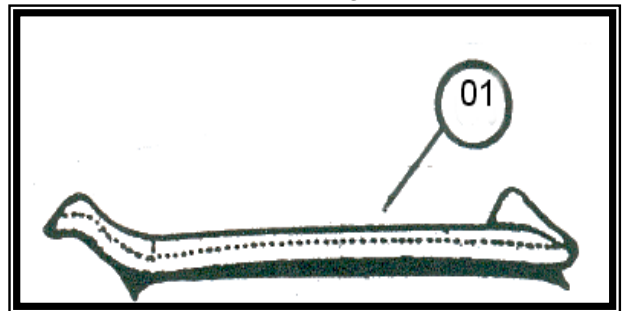
Hood (3 Windows) TR 3A TS 22,826+



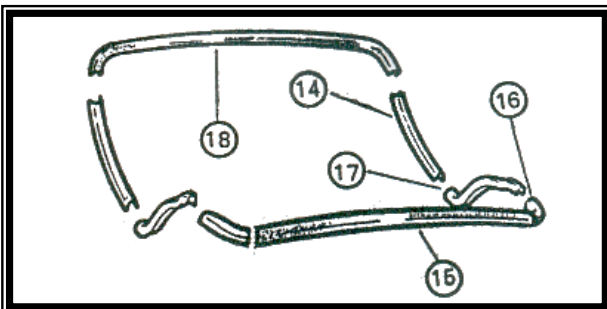
Tonneau Cover & Fittings TR2 to TR3A



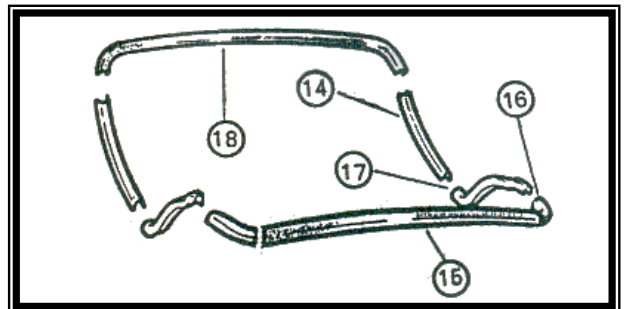
Hood Frame Cover & Fittings TR2 to TR3A



Metal Cappings To TS 22,013 TR2 to TR3



Metal Cappings TS 22,014+ TR3A



Weather Equipment : TR2 to TR3A

Ref No	Description	Trim Colour	Beige	Biscuit			Special *State Colour*
	Hood Webbing:			*			
	Hood Webbing: [3 mtr]			*			
01	Hood Frame Cover: PVC [To TS 41743]						
01	Hood Frame Cover: Duck [To TS 41743]		*	*			011211
01	Hood Frame Cover: Mohair [To TS 41743]		011217	*			
01	Hood Frame Cover: PVC [TS 41744+]						031208
01	Hood Frame Cover: Duck [TS 41744+]		*	*			
01	Hood Frame Cover: Mohair [TS 41744+]			*			
02	Hood: 1 Window : PVC [To TS 4399]						011259
02	Hood: 1 Window : Duck [To TS 4399]		*	*			
02	Hood: 1 Window: Mohair [To TS 4399]			*			
03	Hood: 3 Windows : PVC [To TS 28, 825]						021206
03	Hood: 3 Windows : Duck [To TS 28, 825]		*	*			
03	Hood: 3 Windows: Mohair [To TS 28, 825]			*			
04	Hood: PVC [TS 28, 826+]						
04	Hood: Duck [TS 28, 826+]		*	*			031255
04	Hood: Mohair [TS 28, 826+]			*			
05	Tonneau: RHD:PVC [To TS 5255]						011224
05	Tonneau: RHD: [TS 5256+]						011231
05	Tonneau: RHD: Duck [To TS 5255]		*	*			
05	Tonneau: RHD: Duck [TS 5256+]		*	*			
05	Tonneau: RHD: Mohair [To TS 5255]		011286	*			
05	Tonneau: RHD: Mohair [TS 5256+]		011287	*			
05	Tonneau: LHD: PVC [To TS 5255]						011236
05	Tonneau: LHD: PVC [TS 5256+]						011242A
05	Tonneau: LHD: Duck [To TS 5255]		*	*			
05	Tonneau: LHD: Duck [TS 5256+]		*	*			
05	Tonneau: LHD: Mohair [To TS 5255]		011288	*			
05	Tonneau: LHD: Mohair [TS 5256+]		011289	*			
06	Sidescreen Units:PVC [To TS 8637]						011279
06	Sidescreen Units: Duck [To TS 8637]		*	*			
06	Sidescreen Units: Mohair [To TS 8637]			*			
07	Sidescreen Units: PVC [To TS 28, 825]						031239
07	Sidescreen Units: Duck [To TS 28, 825]		*	*			
07	Sidescreen Units: Mohair [To TS 28, 825]			*			
08	Sidescreen Units: [TS 28, 826+]						031278
08	Sidescreen Units: Duck [TS 28, 826+]		*	*			
08	Sidescreen Units: Mohair [TS 28, 826+]			*			
06	Sidescreens Re-Trim Kit :PVC [To TS 8637]			0112104			0112109
06	Sidescreens: Re-Trim Kit: Duck [To TS 8637]		*	*			
06	Sidescreens: Re-Trim Kit: Mohair [To TS 8637]		0112123	*			
07	Sidescreens: Re-Trim Kit: PVC [To TS 28, 825]			031293			031294
07	Sidescreens: Re-Trim Kit: Duck [To TS 28, 825]		*	*			
07	Sidescreens: Re-Trim Kit: Mohair [To TS 28, 825]			*			
08	Sidescreens: Re-Trim Kit: PVC [TS 28, 826+]			0312105			0312109
08	Sidescreens: Re-Trim Kit: Duck [TS 28, 826+]		*	*			
08	Sidescreens: Re-Trim Kit: Mohair [TS 28, 826+]			*			
10	Sliding Window: LH [To TS 28,825]		031220				
	Sliding Window: RH[To TS 28,825]		031221				
10	Sliding Window: LH [TS 28,826+]		031225				
	Sliding Window: RH[TS 28,826+]		031226				
11	Fixed Window: Cobex		031222				
	Sidescreen Storage Bag						
	Hood & Tonneau Cover Storage Bag						

NOTE: Weather Equipment includes some fittings !



<p><i>Stud with Flange - 011402</i></p> 	<p><i>Stud No Flange -</i></p> 	<p><i>Blind Rivet (Pop) - 011410</i></p> 	<p><i>Seat Clip - 011412</i></p> 
<p><i>Button: Silver</i></p>  <p>011407</p>	<p><i>Socket</i></p> 	<p><i>Seat Clip : Tube Type -</i></p> 	<p><i>Trim Clip - 051402</i></p> 
<p><i>Carpet Clip: Pronged Ring</i></p>  <p>011403</p>	<p><i>Carpet Clip: Clinch Plate</i></p> 	<p><i>Lift The Dot :Socket - 011414</i></p> 	<p><i>Lift The Dot :Clinch Plate - 011414</i></p> 
<p><i>Button : Black</i></p>  <p>051403</p>	<p><i>Socket</i></p> 	<p><i>Stud - 011416</i></p> 	<p><i>Stud Machine Screw - 011422</i></p> 
<p><i>Tenax - Button</i></p>  <p>011405</p>	<p><i>Tenax - Plate</i></p> 	<p><i>Screw & Washer (20) - 011411</i></p> 	<p><i>Door Pocket Fixing Kit (4) 041407</i></p> 

This is not our full range of fittings.



Ref No	Description	Stock Code
	<i>Carpet Fixing Kit: TR2 – TR3B</i>	<i>011401</i>
	<i>Carpet Clip: Male</i>	<i>011402</i>
	<i>Carpet Clip: Female</i>	<i>014403</i>
	<i>Hood Tonneau Stud: Male</i>	<i>014406</i>
	<i>Hood Tonneau Stud: Female</i>	<i>011407</i>
	<i>Retainer – Hood Webbing</i>	<i>011408</i>
	<i>River: Male</i>	<i>011410</i>
	<i>Screw and Washer Set: TR2 – TR3B</i>	<i>011411</i>
	<i>Seat Clip</i>	<i>011412</i>
	<i>Trim Panel Fixing Kit: TR2 – TR3B</i>	<i>011413</i>
	<i>Lift The Dot: Female - Socket</i>	<i>011414</i>
	<i>Lift The Dot: Female - Plate</i>	<i>011415</i>
	<i>Lift The Dot: Male – Wood Screw</i>	<i>011416</i>
	<i>Lift The Dot: Male – Machine Screw</i>	<i>011417</i>
	<i>Nut for LTD Machine Screw</i>	
	<i>Seat Clip: Tubular</i>	<i>011418</i>
	<i>Screw: Trim Fixing</i>	<i>011419</i>
	<i>Tenax Fastener: Female</i>	<i>011405</i>
	<i>Tenax Fastener: Male – Wood Screw</i>	<i>011422</i>
	<i>Tenax Fastener: Male – Machine Screw</i>	<i>011423</i>
	<i>Door Capping: End Button – TS22014+:TR3A</i>	<i>011420</i>
	<i>Carpet Fixing Kit: TR4 – TR6</i>	<i>041401</i>
	<i>Door Panel Cover, Clip, Screw: TR4 – TR6</i>	<i>041407</i>
	<i>Trim Panel Fixing Kit: TR4 – TR6</i>	<i>041406</i>
	<i>Trim Panel Clip: TR4 – TR6</i>	<i>051402</i>
	<i>Hood/Tonneau Stud: Female – Black: TR5 /TR6</i>	<i>051403</i>
	<i>Dashboard Screws: Silver: TR4A</i>	<i>051405</i>
	<i>Dashboard Screws: Black: TR6</i>	<i>051406</i>

